



零件说明书 Part Specification



地址：椒江区洪家街道经中路2287-1号
电话：0576-88155221 88159900 传真：0576-88158598 88155598
邮箱：shunfa@shunfasew.com

SF 9813

浙江新顺发缝纫机科技股份有限公司
ZHEJIANG XINSHUNFA SEWING MACHINE TECHNOLOGY CO., LTD.

序号 NO.	名称 DESCRIPTION	规格 SPEC	数量 Qty.
1	台板 Table		1
2	台板连接螺钉 Table Link Screw	M3.5×20 GB/T951	11
3	底板连接板 Baseboard Link Plate		1
4	底板安装螺钉 Baseboard Fixed Screw	M8×65 GB/T70.1	2
5	机架 Stand		1
6	底板 Baseboard		1
7	减速机座 Reducer Pedestal		1
8	轴承 Bearing	6206(62×30×16)	1
9	行星减速机 Planetary Reducer		1
10	减速机连接螺钉 Reducer Connecting Screw	M6×25 GB/T70.1	4
11	平垫圈 Flat Washer	Φ13×Φ6.5×2	4
12	弹垫圈 Gasket	Φ10.5×Φ6.5×2	4
13	电机转接板 Motor Pinboard		1
14	转接板连接螺钉 Pinboard Link Screw	M6×20 GB/T70.1	4
15	伺服电机 Servo Motor		1
16	伺服电机螺钉 Servo Motor Screw	M5×25 GB/T70.1	4
17	冲压轴连杆 Punching Shaft Connection Rod		1
18	螺钉 Screw	M5×16 GB/T70.1	1
19	螺母 Nut	M5	1
20	螺钉 Screw	M4×16 GB/T70.1	1
21	螺母 Nut	M4	1
22	连杆滑块 Connecting Rod Sliding Block		1
23	连杆滑块轴套 Axle Sleeve Connecting Rod Sliding Block		1
24	矩形弹簧 Rectangle Spring		1
25	滑块挡板 Sliding Block Baffle		1
26	滑块挡板螺钉 Sliding Block Baffle Screw	M3×10 GB/T70.1	2
27	偏心轮 Eccentric Gear		1
28	偏心轮卡簧 Eccentric Gear Jump Ring	RRA30	1
29	键 Button	6×6×24	1
30	减速机座安装螺钉 Fixed Screw Of Reducer Pedestal	M6×20 GB/T70.1	4
31	旋转步进电机 Rotate Step Motor		1
32	步进电机安装螺钉 Fixed Screw Of Step Motor	M6×20 GB/T70.1	4
33	步进电机座 Step Motor Base		1
34	旋转轴 Rotate Axis		1
35	旋转轴定位螺钉 Fixed Screw Of Rotate Axis	M6×20 GB/T70.1	4
36	轴承 Bearing	6807Z	2
37	钉扣上轴 Upper Axle Of Button Attach		1
38	上轴复位弹簧 Upper Axle Of Reset Spring		1
39	摆臂弹簧定位销 Swing Arm Spring Of Locating Pin		1
40	摆臂 Swing Arm		1
41	摆臂铜套 Copper Bush Of Swing Arm		1
42	调节螺母 Adjustable Nut	M16×1.5	1
43	钉扣上轴连接螺钉 Upper Axle Of Button Attach Link Screw		1
44	摆臂锁紧螺钉 Swing Arm Tight Screw	M5×25 GB/T70.1	2
45	摆臂定位调节螺钉 Swing Arm Position Adjustable Screw	M5×25 GB/T70.1	1
46	螺母 Nut	M5	1
47	紧定螺钉 Fixed Screw	M5×6 GB/T77	1
48	旋转步进电机座螺钉 Rotate Step Motor Base Screw	M6×20 GB/T70.1	4

序号 NO.	名称 DESCRIPTION	规格 SPEC	数量 Qty.
49	上扣气缸 Top Holding Button Cylinder	SDA25-40	1
50	气管接头 Pipe Joint	XCQD.6	2
51	气缸顶压螺钉 Cylinder Top Pressure Screw		1
52	上扣气缸支架 Top Holding Button Cylinder Stand		1
53	支架安装螺钉 Bracket Setting Screw	M6×20 GB/T70.1	2
54	气缸连接螺钉 Cylinder Top Pressure Screw	M6×25 GB/T70.1	4
55	冲压轴 Stamping Axis		1
56	冲压轴连接销 Stamping Axis Link Pin	Φ8×30	1
57	冲压轴套座铜套 Stamping Axis Copper Sleeve		1
58	铜套螺钉 Copper Cover Screw	M5×16 GB/T70.1	4
59	冲压轴套座 Stamping Axis Set		1
60	直线导轨 Linear Guideway	9×6.5×75	2
61	导轨座 Guide Rail Base	30×20×8	2
62	导轨螺钉 Guide Rail Screw	M3×10 GB/T70.1	8
63	冲孔连接板 Punch Connecting Plate		1
64	连接板螺钉 Connecting Plate Screw	M3×10 GB/T70.1	4
65	冲孔轴支架 Punching Shaft Holder		1
66	支架螺钉 Holder Screw	M5×16 GB/T70.1	4
67	钉扣上轴 Button Attach Upper Shaft		1
68	上轴复位弹簧 Upper Axle Of Reset Spring		1
69	定位销 Locating Pin		1
70	石墨烯铜套 Graphene Copper Sleeve		1
71	连接螺钉 Linking Screw		1
72	拉簧固定座 Fixed Base Of Tension Spring		1
73	螺母 Nut	M16	1
74	支紧螺钉 Tight Screw	M5×6 GB/T77	1
75	气缸 Air Cylinder	SDA16-35-B	1
76	气缸安装螺钉 Cylinder Setting Screw	M4×70 GB/T70.1	2
77	气缸调节接头 Cylinder Adjustable Joint	AS1211F-M5-04	2
78	冲孔气缸座 Punching Cylinder Base		1
79	气缸座螺钉 Cylinder Base Screw	M4×35 GB/T70.1	2
80	螺母 Nut	M5	2
81	浮动接头 Floating Junction	F-M5×080F	1
82	气缸 Cylinder	CDU16-40-FB	1
83	气管接头 Pipe Joint		2
84	导轨 Rail	75×9×6.5	1
85	导轨螺钉 Rail Screw	M3×10 GB/T70.1	4
86	导轨座 Rail Screw	30×20×8	1
87	40辅助支架 40 Support Holder		1
88	螺钉 Screw	M3×10 GB/T70.1	4
89	气缸安装螺钉 Cylinder Set Screw	M4×25 GB/T70.1	2
90	螺母 Nut	M5	2
91	保护支架 Cylinder Set Screw		1
92	保护支架固定螺钉 Protect Holder Fixed Screw	M4×12 GB/T70.1	2
93	气缸 Cylinder	CU 16-50-FB	1
94	气管接头 Pipe Joint		2
95	气缸安装螺钉 Cylinder Set Screw	M4×25 GB/T70.1	2
96	垫块 Bracket		1
97	导轨 Rail	9×6.5×75	1

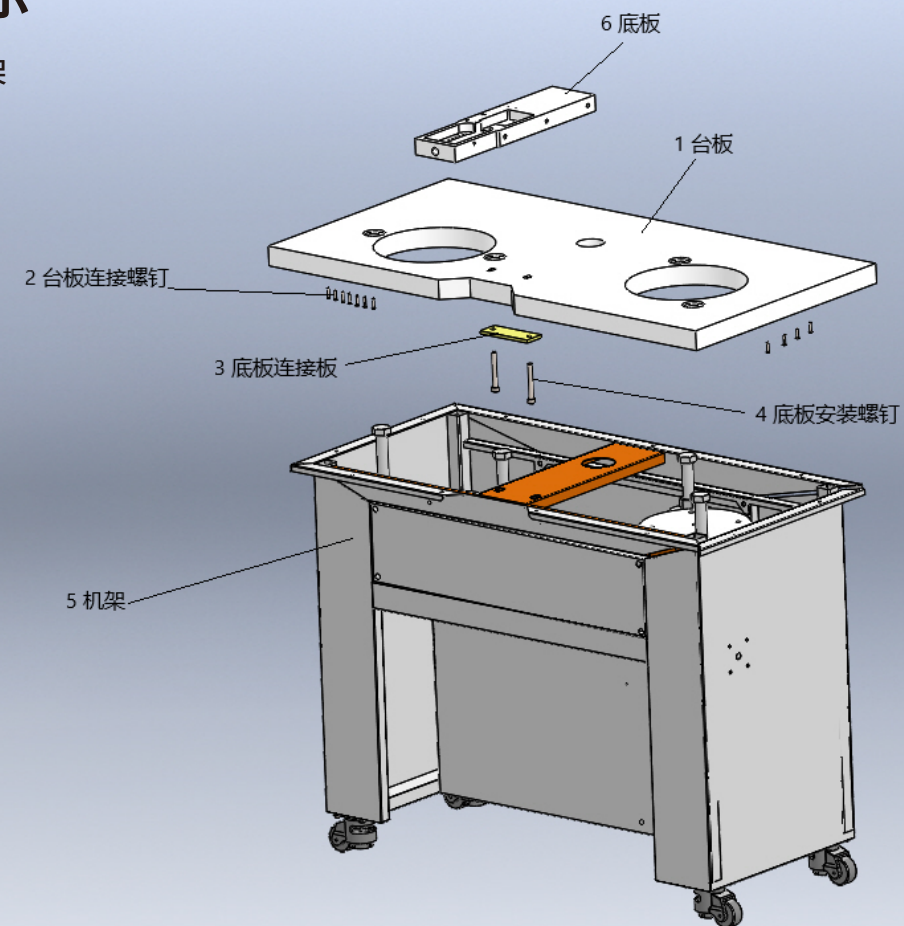
序号 NO.	名称 DESCRIPTION	规格 SPEC	数量 Qty.
98	导轨螺钉 Rail Screw	M3×10 GB/T70.1	4
99	导轨座 Rail Base	30×20×8	1
100	导轨座螺钉 Rail Base Screw	M3×10 GB/T70.1	4
101	辅助支架 Support Holder		1
102	连接螺母 Linking Screw	M5	2
103	下扣推杆 Down Push Rod		1
104	下扣推杆螺钉 Down Push Rod Screw	M4×12 GB/T70.1	2
105	下扣挡料勾 Down Push Stop Hook		1
106	下扣挡料勾螺钉 Down Push Stop Hook Screw	M3×10 GB/T70.1	2
107	下扣轨道压板 Down Push Rail Plate		2
108	压板螺钉 Clamp Screw	M4×12 GB/T70.1	4
109	垫圈 Gasket	Φ4	4
110	下扣轨道定位销 Down Push Rail Position Pin		4
111	定位销支紧螺钉 Position Pin Tight Screw	M5×6 GB/T77	4
112	下扣轨道 Down Push Rail		1
113	下扣轨道连接螺钉 Down Push Rail Link Screw	M4×12 GB/T70.1	4
114	下扣轨道底座 Down Push Rail Base		1
115	下扣轨道底座螺钉 Down Push Rail Base Screw	M5×16 GB/T70.1	2
116	下扣调节轨道 Down Push Adjustable Rail		1
117	下扣调节轨道螺钉 Down Push Adjustable Rail Screw	M4×12 GB/T70.1	2
118	下扣挡板 Down Push Baffle		1
119	下扣挡板螺钉 Down Push Baffle Screw	M4×12 GB/T70.1	2
120	上扣推杆 Up Push Rod		1
121	上扣推杆螺钉 Up Push Rod Screw	M4×12 GB/T70.1	2
122	上扣挡料支架 Up Push Stopper Holder		1
123	支架固定螺钉 Holder Fixed Screw	M3×10 GB/T70.1	2
124	调节螺钉 Adjustable Screw	M3×12 GB/T70.1	1
125	螺母 Nut	M3	1
126	上扣推杆支架 Up Push Rod Holder		1
127	上扣推杆支架螺钉 Up Push Rod Holder Screw	M4×12 GB/T70.1	2
128	垫圈 Gasket	Φ4	2
129	30辅助支架 30 Support Holder		1
130	连接螺母 Link Nut	M5	2
131	上扣压板10-12 Up Push Plate 10-12		1
132	上扣压板12-14 Up Push Plate 12-14		1
133	上扣压板螺钉 Up Push Baffle Screw	M4×12 GB/T70.1	4
134	上扣轨道 Up Push Rail		1
135	上扣轨道螺钉 Up Push Rail Screw	M5×40 GB/T70.1	2
136	上扣侧压板 Up Push Side Press Plate		1
137	上扣侧压板螺钉 Up Push Side Press Plate Screw	M4×12 GB/T70.1	2
138	下扣轨道定位销(长) Down Rail Position Pin (long)		2
139	下扣轨道定位销(短) Down Rail Position Pin (short)		2
140	定位销支紧螺钉 Position Pin Tight Screw		4
141	气缸 Cylinder	CU16-30	1
142	气缸调节接头 Cylinder Adjustable Joint		2
143	导轨 Rail	75×9×6.5	1
144	导轨螺钉 Rail Screw	M3×10 GB/T70.1	3
145	导轨座 Rail Base	30×20×8	1

序号 NO.	名称 Description	规格 SPEC	数量 Qty.
146	导轨座螺钉 Rail Base Screw	M3×10 GB/T70.1	4
147	上扣轨道支架 Up Push Rail Holder Screw		1
148	上扣轨道支架螺钉 Up Push Position Mould	M6×25 GB/T70.1	2
149	上扣定位模具 Up Push Position Mould Screw		1
150	上扣定位模具螺钉 Rail Base Screw	M4×10 GB/T70.1	2
151	轴 Axis		1
152	上扣定位模具弹簧 Up Push Position Mould Spring		1
153	上扣定位模具座 Up Push Position Mould Set		1
154	模具座螺钉 Mould Base Screw	M4×10 GB/T70.1	4
155	模具座拼紧螺钉 Mould Base Tight Pin	M4×16 GB/T70.1	2
156	上扣定位支架 Up Push Position Holder		1
157	上扣定位支架螺钉 Up Push Position Holder Screw	M4×12 GB/T70.1	2
158	压紧螺杆 Press Screw		1
159	压紧杆 Compressor Shaft		1
160	连接板 Junction Plate		1
161	连接板螺钉 Junction Plate Screw	M3×12 GB/T70.1	2
162	定位销 Position Pin		2
163	定位弹簧 Position Spring		2
164	防护罩 Shield		1
165	防护罩螺钉 Shield Screw		2
166	下扣模具座1 Down Push Mould Base 1		1
167	下扣模具座2 Down Push Mould Base 2		1
168	下扣模具座石墨烯套 Down Push Mould Base Graphene Cover		2
169	压缩弹簧 Pressure Spring		2
170	下模套 Down Die Cover		1
171	钉扣下轴 Button Attach Down Shaft		1
172	连接板 Linking Plate		2
173	连接板螺钉 Linking Plate Screw	M3×10 GB/T70.1	8
174	导轨座 Rail Base	30×20×8	4
175	导轨座螺钉 Rail Base Screw	M3×12 GB/T70.1	8
176	导轨 Rail	9×6.5×94	2
177	导轨螺钉 Rail Screw	M3×12 GB/T70.1	8
178	气缸 Cylinder	CU20-30	1
179	气缸接头 Cylinder Joint		2
180	气缸螺钉 Cylinder Screw	M4×25 GB/T70.1	2
181	气缸连接柱 Cylinder Joint Column	F-M5×080F	1
182	螺母 Nut	M5	1
183	顶模滑块 Top Slider		1
184	气缸 Cylinder	CU20-60	1
185	气管调节阀 Cylinder Control Valve	AS1211F	2
186	气缸螺钉 Cylinder Screw	M5×30	2
187	螺母 Nut	M5	1
188	顶模滑块连接柱 Top Slider Linking		1
189	顶模滑块盖板 Top Slider Linking Cover		1
190	盖板螺钉 Cover Screw	M5×10 GB/T70.2	2
191	气缸连接板 Cylinder Linking Plate		1
192	连接板螺钉 Linking Plate Screw	M6×25 GB/T70.1	2
193	立柱 Stand Column		1

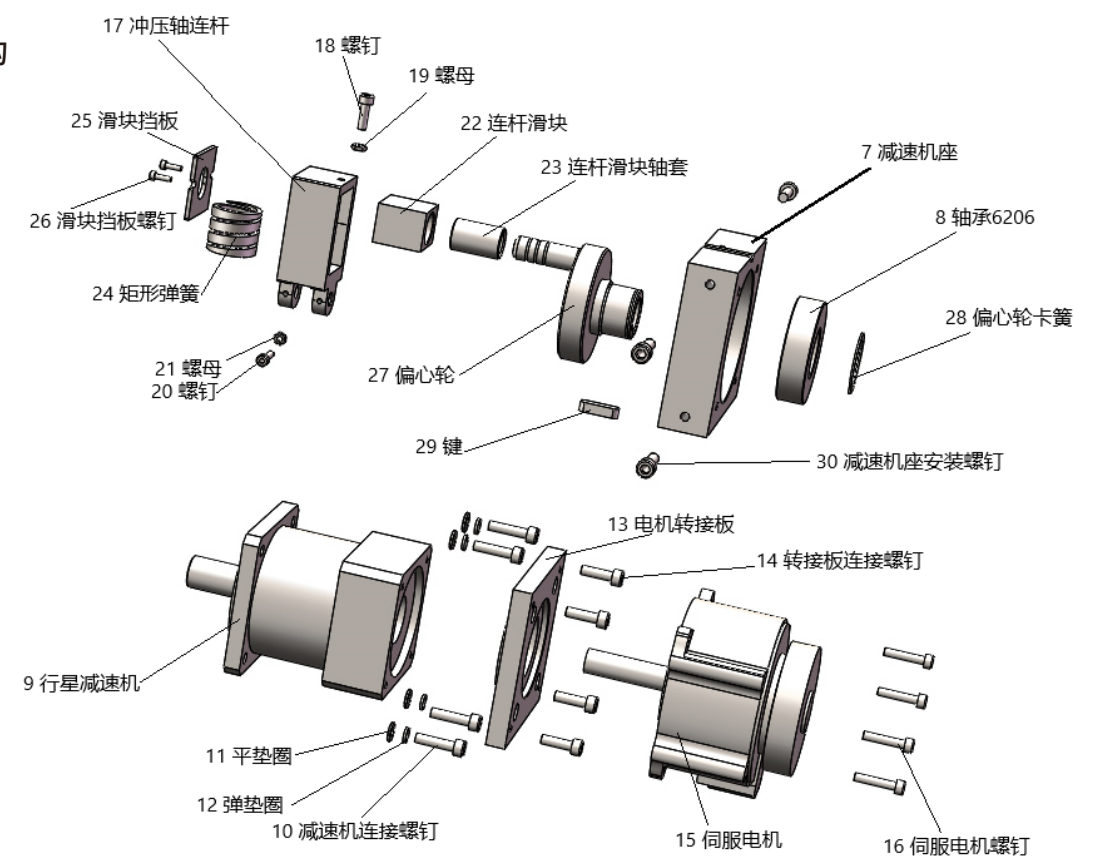
序号 NO.	名称 DESCRIPTION	规格 SPEC	数量 Qty.	
194	滑块座	Slider Base	1	
195	立柱螺钉	Stand Column Screw	M8×80 GB/T70.1	4
196	平面辅助板	Plane Auxiliary Plate		1
197	平面辅助板螺钉	Plane Auxiliary Plate Screw	M4×12 GB/T70.1	4
198	围板	Coaming		1
199	围板螺钉	Coaming Screw	M5×10 GB/T70.2	3
200	左侧板	Left Side Plate		1
201	左侧板螺钉	Left Side Plate Screw	M8×25 GB/T70.1	3
202	右侧板	Right Side Plate		1
203	右侧板螺钉	Right Side Plate Screw	M8×25 GB/T70.1	3
204	后盖板	Back Cover		1
205	后盖板螺钉	Back Cover Screw	M5×10 GB/T70.2	6
206	上盖板	Up Cover		1
207	上盖板螺钉	Up Cover Screw	M5×10 GB/T70.2	6
208	显示屏支架(上)	Screen Holder (up)		1
209	显示屏支架(下)	Screen Holder (down)		1
210	显示屏支架螺钉	Screen Holder Screw	M5×10 GB/T70.2	8
211	前盖板	Front Cover		1
212	前盖板螺钉	Front Cover Screw	M5×10 GB/T70.2	2
213	振动盘固定螺钉	Vibration Plate Fixed Screw		2
214	大拨料片(左.右)	Large Material Sheet (left/right)		2
215	大拨料片螺钉	Large Material Sheet Screw	M5×8 GB/T70.1	4
216	小拨料片(左.右)	Small Material Sheet (left/right)		2
217	小拨料片螺钉	Small Material Sheet Screw	M5×8 GB/T70.1	2
218	左振动盘	Left Vibration Plate		1
219	右振动盘	Right Vibration Plate		1
220	振动盘挡料板	Vibration Plate Striker Plate		2
221	挡料板螺钉	Striker Plate Screw	M5×8 GB/T70.1	4
222	锯齿选料板	Serrated Material Selection Plate		2
223	锯齿选料板螺钉	Serrated Material Selection Plate Screw	M5×8 GB/T70.1	4
224	振动盘前压板	Vibration Plate Front Press Plate		2
225	振动盘后压板	Vibration Plate Back Press Plate		2
226	压板螺钉	Press Plate Screw	M5×8 GB/T70.1	8
227	压板定位销	Press Plate Position Pin		8
228	定位销支紧螺钉	Position Pin Tight Screw	M5×6 GB/T77	8
229	斜口选料板	Bevel Selection Board		1
230	上压板支架	Up Press Plate Holder		1
231	上压板支架螺钉	Up Press Plate Holder Screw	M3×10 GB/T70.1	2
232	振动盘上压板	Vibration Up Press Plate		1
233	上压板螺钉	Up Press Plate Screw	M5×12 GB/T70.1	2
234	振动盘底座	Vibration Plate Base		2
235	振动盘底座垫	Vibration Plate Base Gasket		8
236	振动盘底板(上)	Vibration Plate Base Plate (up)		2
237	振动盘底板(下)	Vibration Plate Base Plate (down)		2
238	大垫片	Big Gasket		2
239	大垫片螺钉	Big Gasket Screw	M10×35 GB/T70.1	2
240	振动盘底座连接螺钉	Link Screw	M6×40 GB/T70.3	8
241	螺栓	Bolt	M20×200	4
242	螺母	Nut	M20	8

内部图示

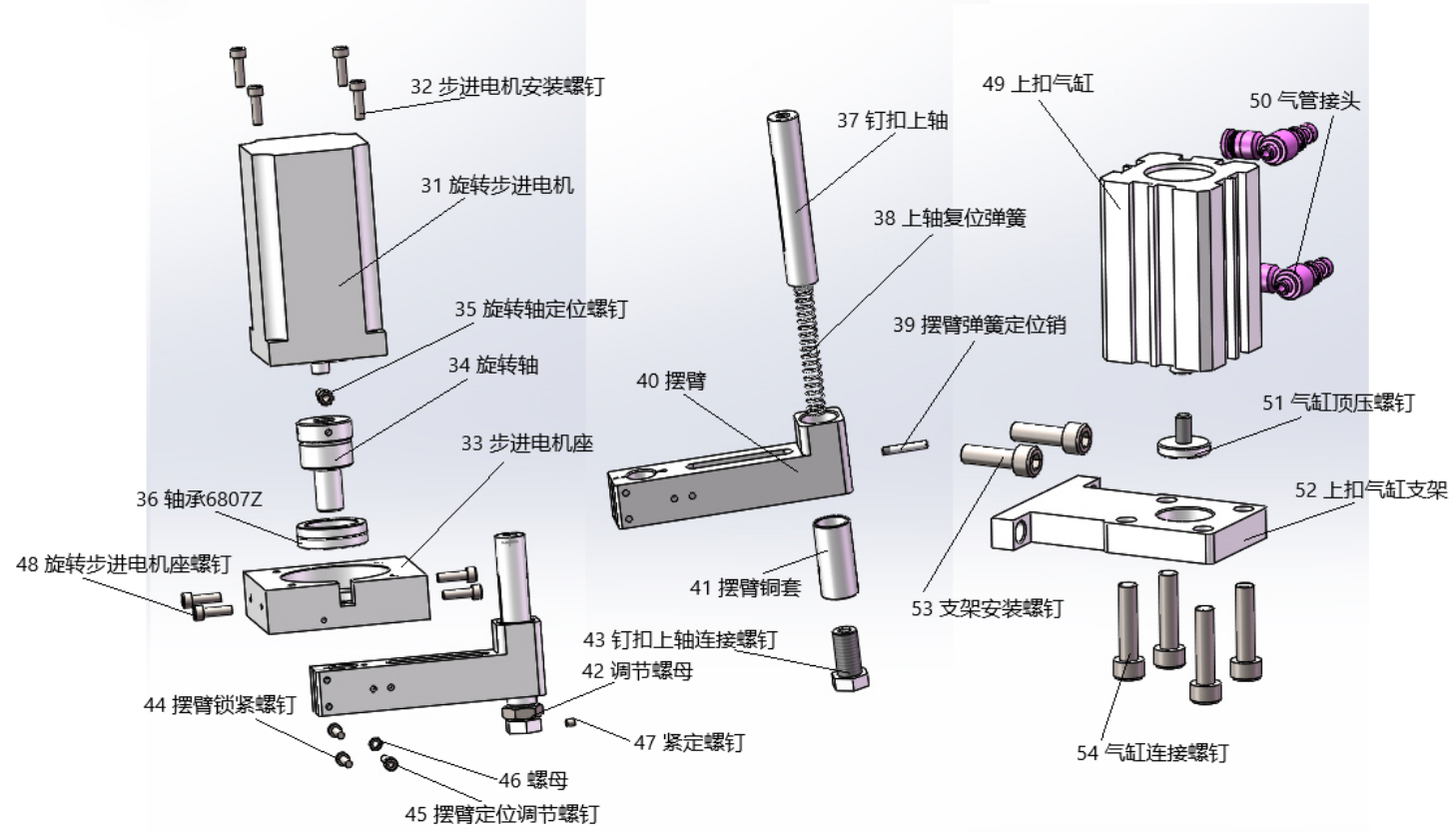
一、台板机架



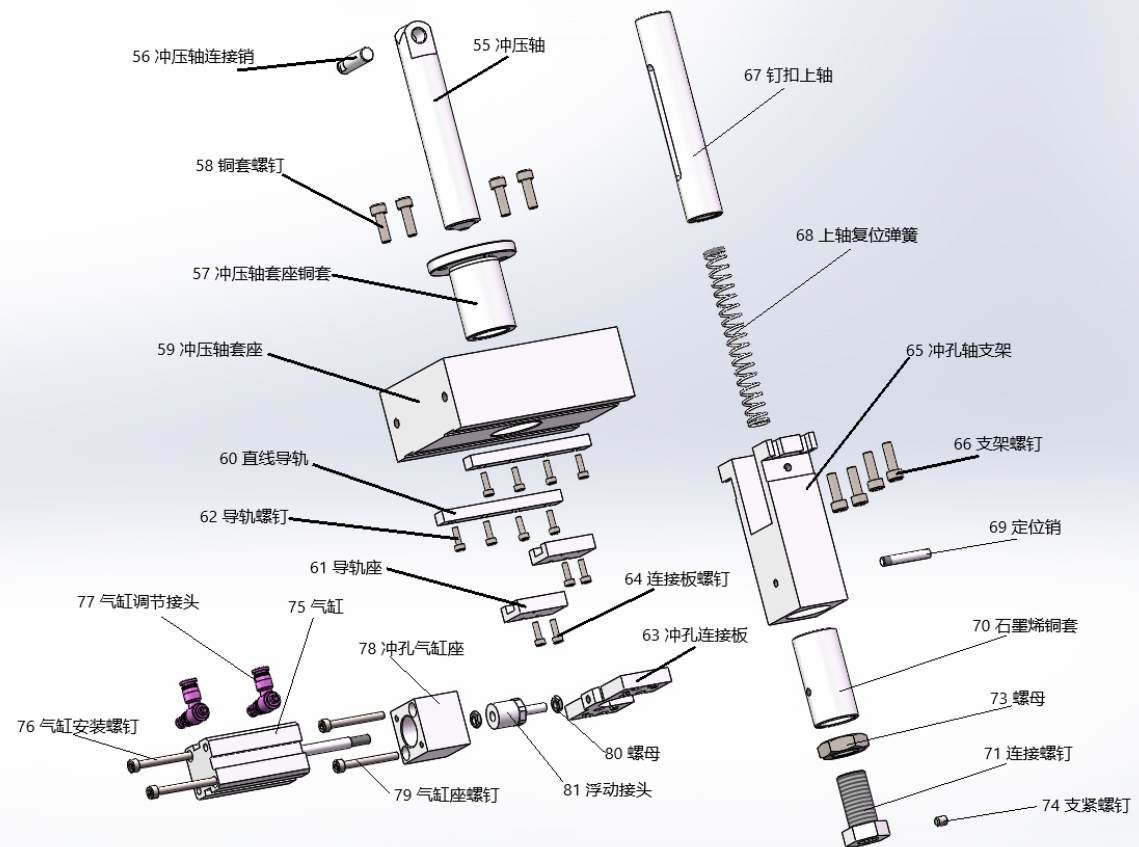
二、冲铆驱动机构



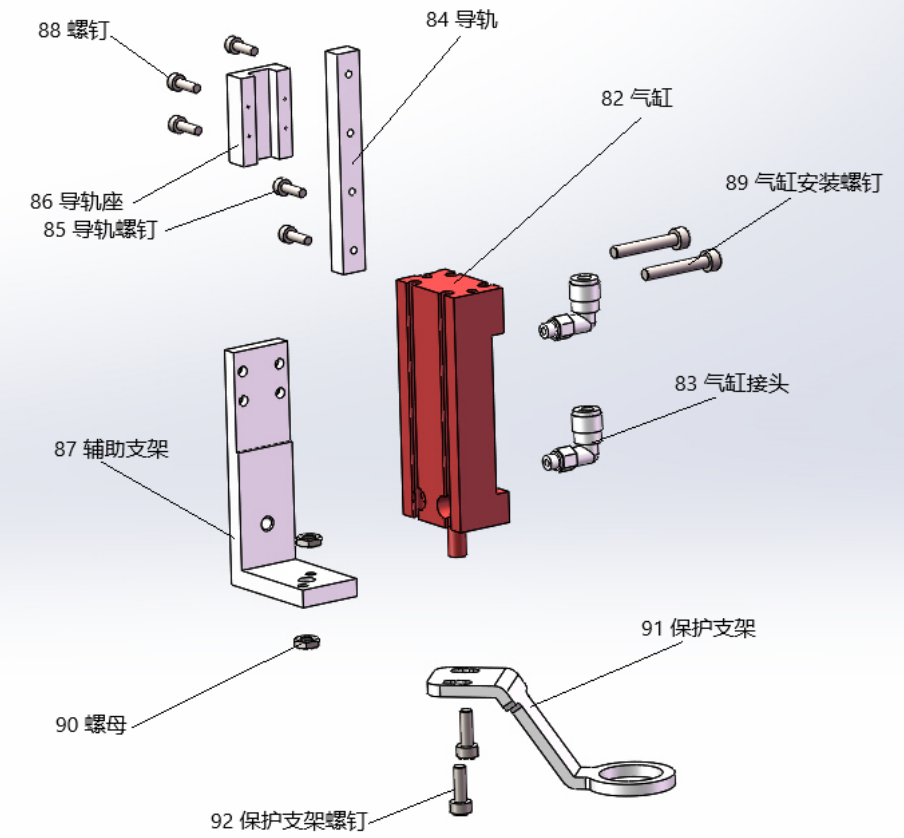
三、抓扣驱动机构



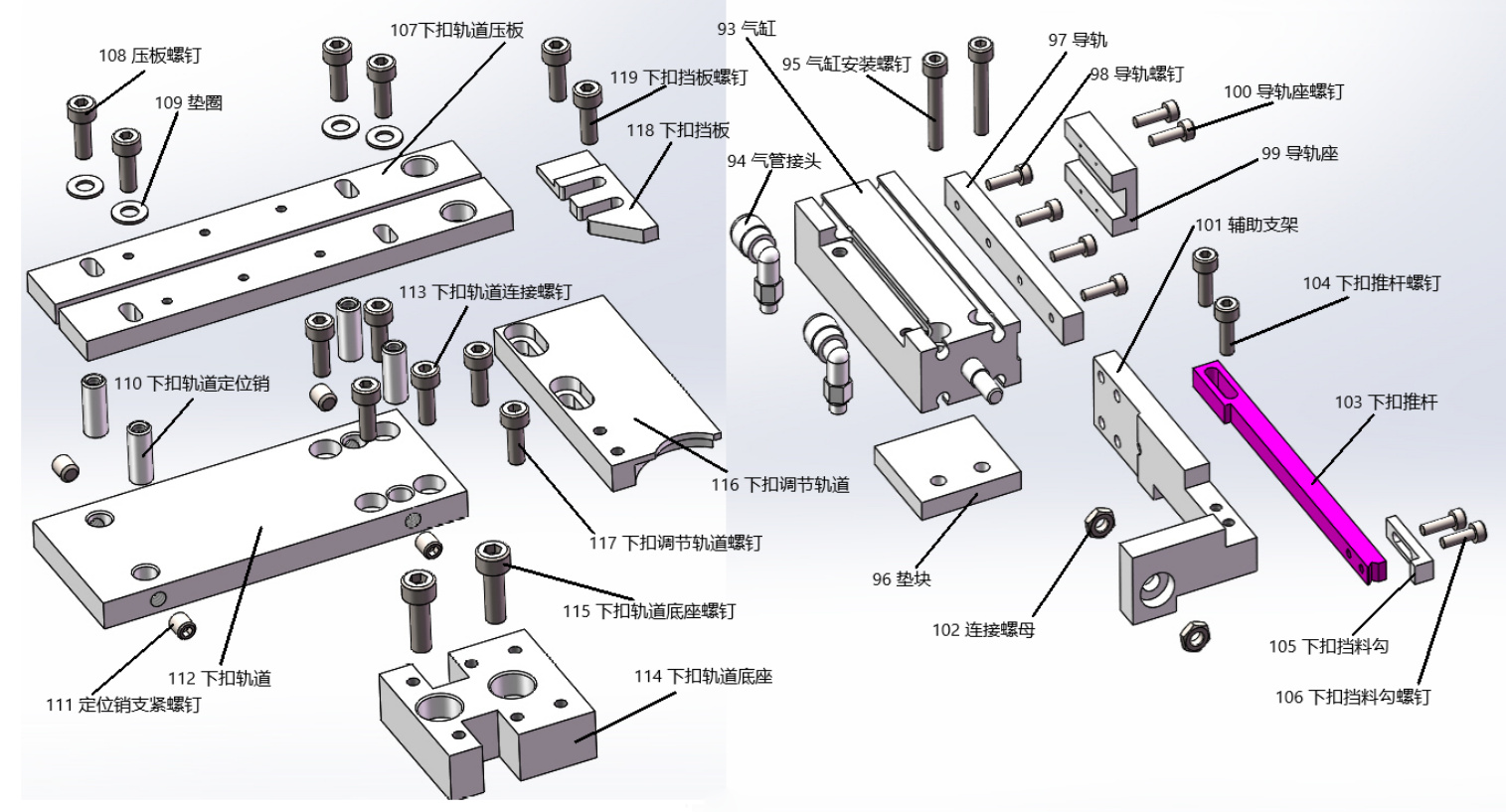
四、冲孔机构



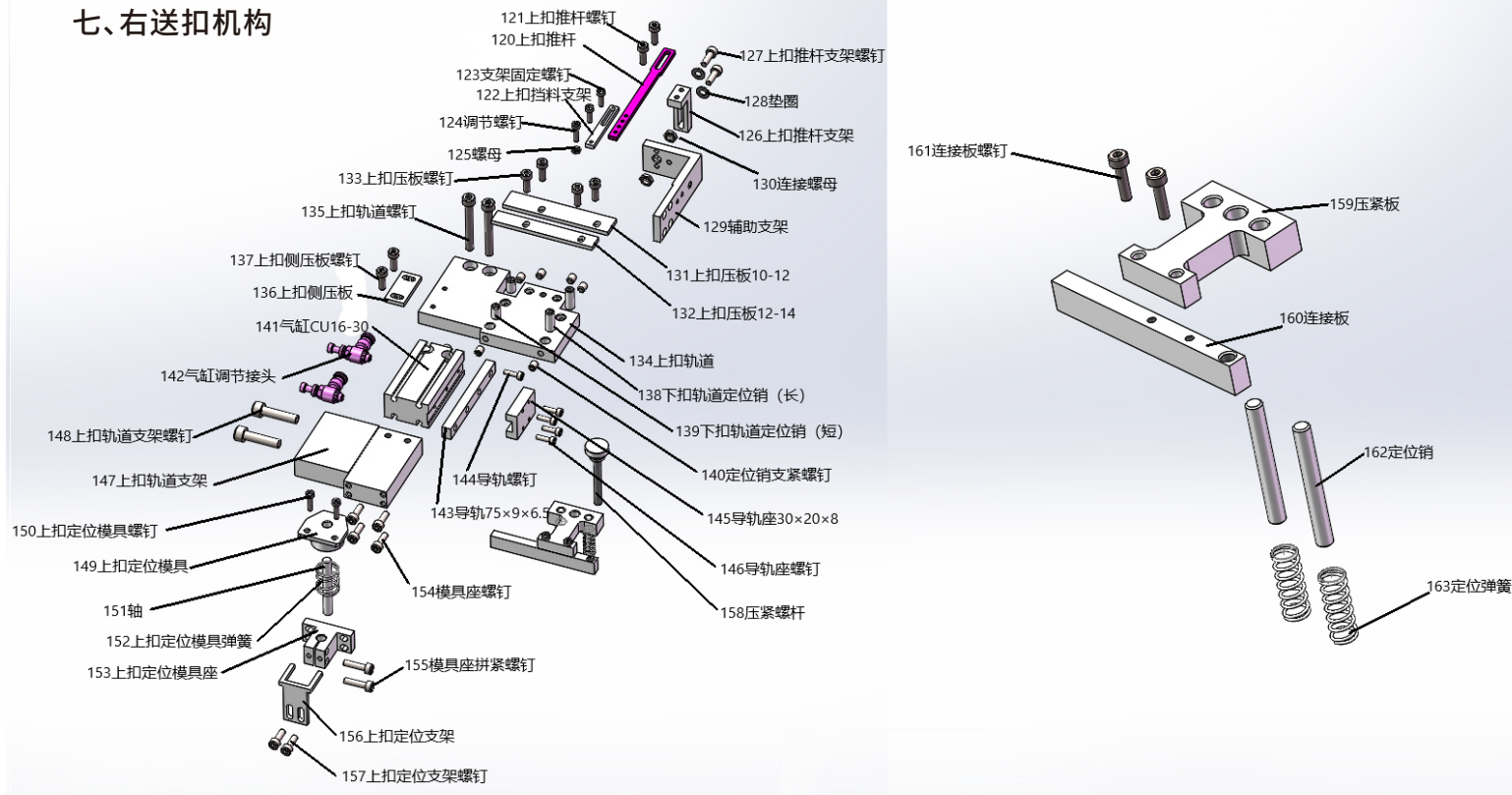
五、压料环部件



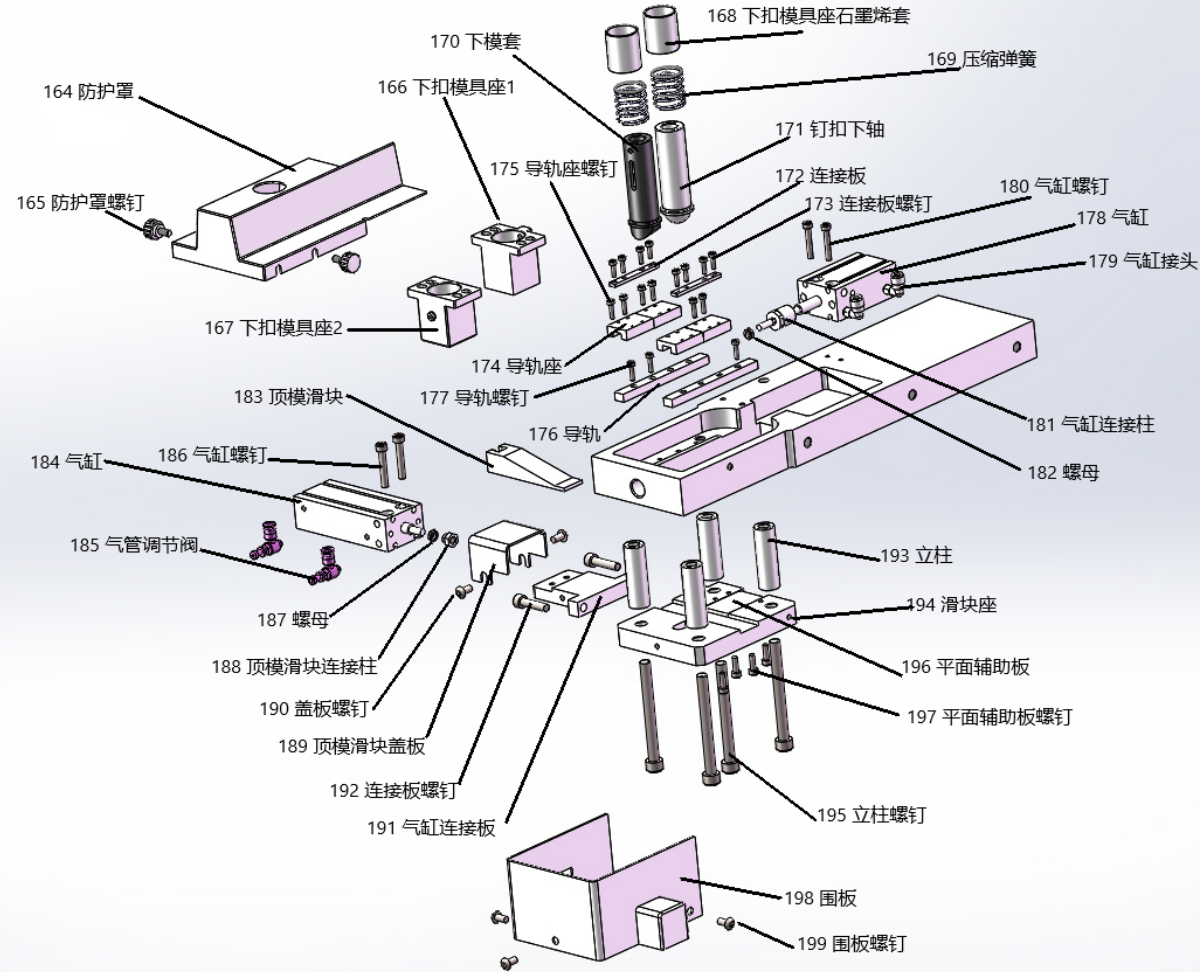
六、左送扣机构



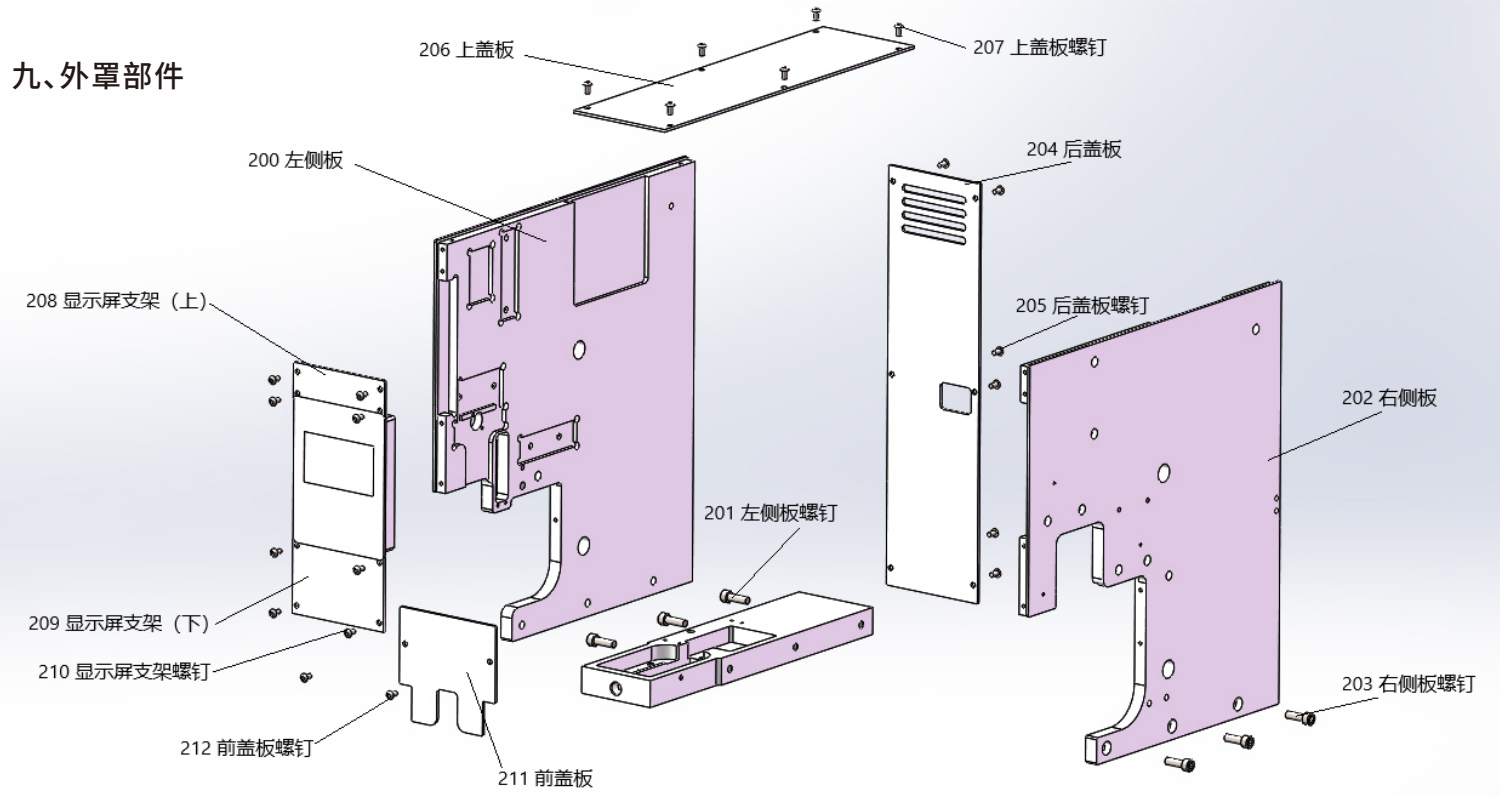
七、右送扣机构



八、钉扣滑座机构



九、外罩部件



十、左右振动盘

