



SF9918

智能钉扣机说明书

Intelligent Button Attaching Machine Instructions

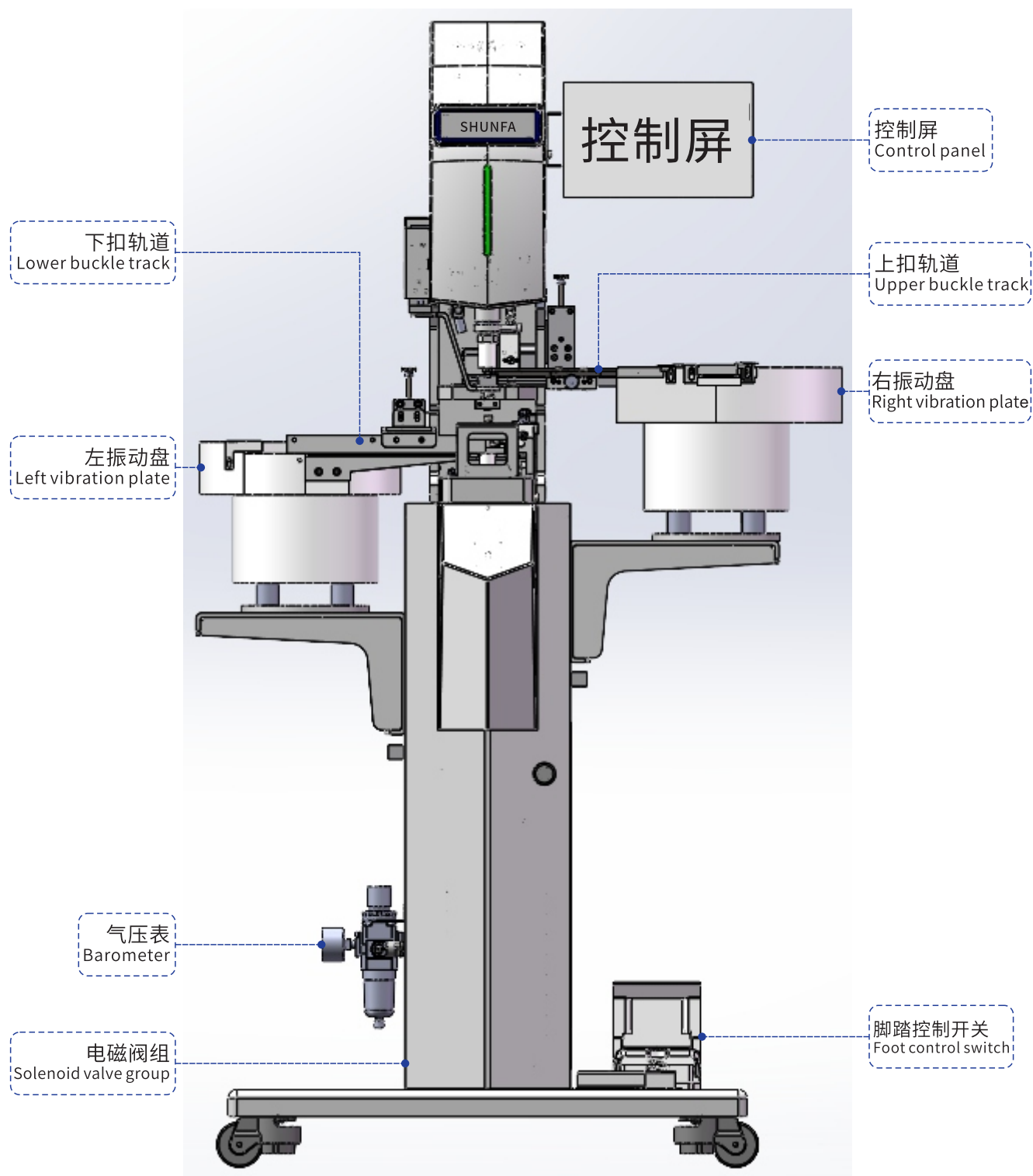
零件手册
ORIGINAL PARTS

目录 CONTENTS

一、左送扣部件 -----	02
Left button feeding parts	
二、右送扣部件 -----	04
Right button feeding parts	
三、下推模顶模部件 -----	07
Push-down die top die parts	
四、下推杆部件 -----	10
Lower push rod parts	
五、上推杆部件 -----	13
Upper push rod parts	
六、上推模部件 -----	15
Upper ejector parts	
七、伺服电机部件 -----	18
Servo motor parts	
八、左振动盘部件 -----	21
Left vibrating plate part	
九、右振动盘部件 -----	23
Right vibrating plate part	
十、机头部件 -----	25
Machine head parts	
十一、立柱部件 -----	28
Column parts	

SF-9918外形简介

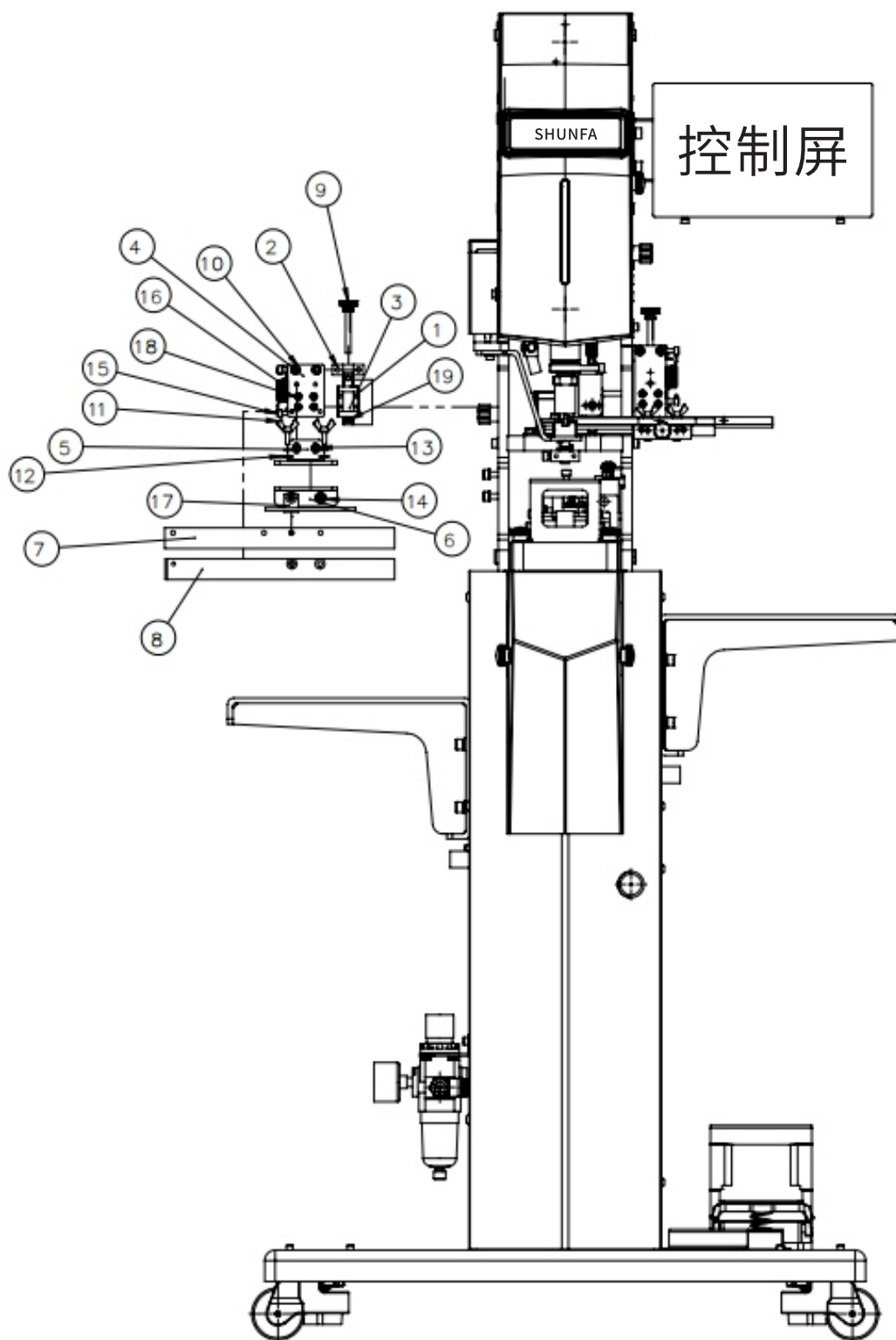
SF-9918 Appearance Introduction



01

左送扣部件

Left button feeding parts

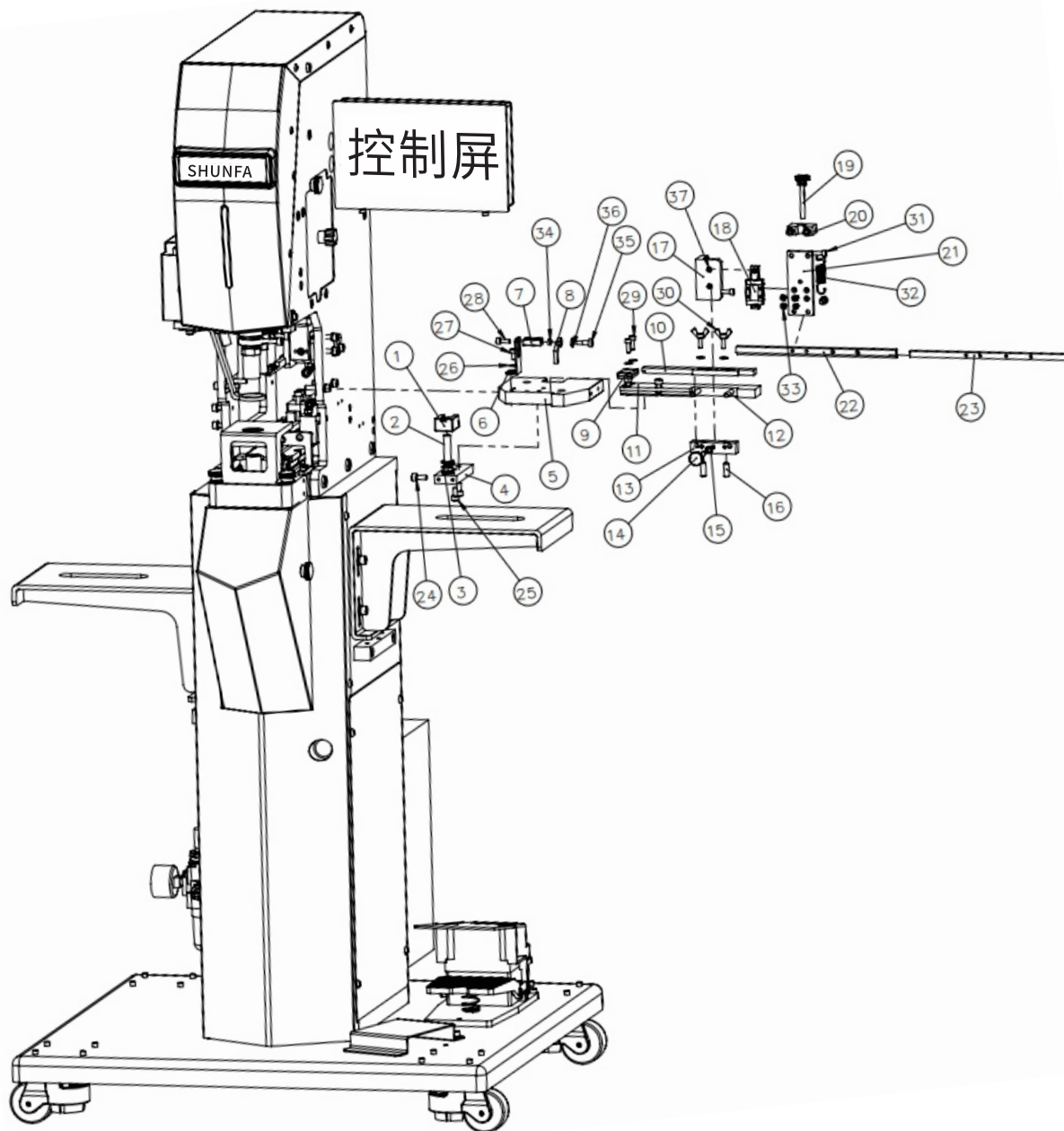


01

左送扣部件

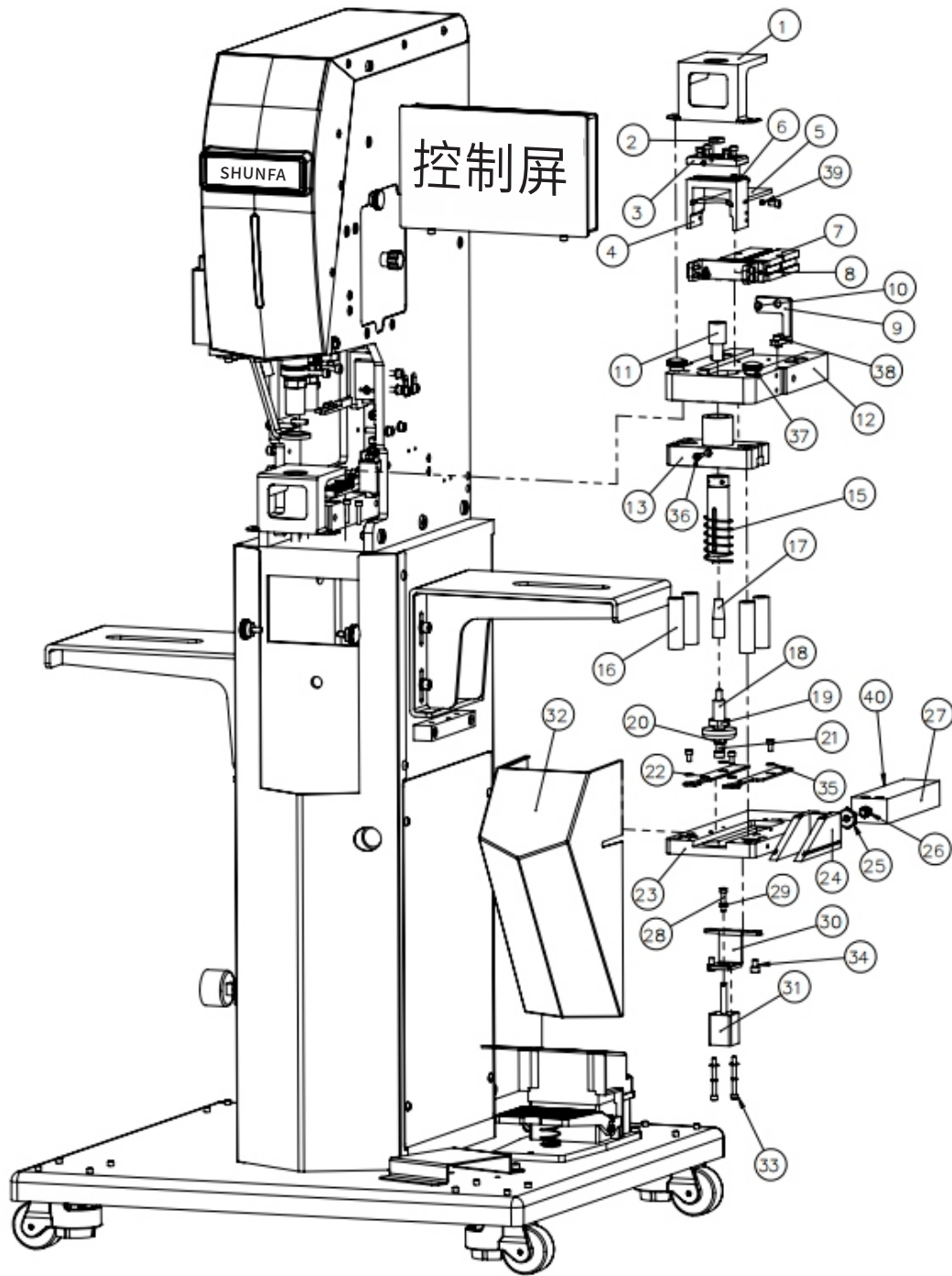
Left button feeding parts

序号	件号	名称	DESCRIPTION	数量
1	14.01.010.00033	下扣轨道前后调节	Front and rear adjustment	1
2	14.01.010.00073	下扣连接板高低调节块	Height adjustment block of the	1
3	14.01.1002.00070	50长MGN9C轨道及	50 length MGN9C track and slider	1
4	14.01.010.00071	压板固定板	Press plate fixing plate	1
5	14.01.001.00246	压板调节支架3	Press plate adjustment bracket 3	1
6	14.01.010.00072	压板调节支架2	Press plate adjustment bracket 2	1
7	14.01.010.00034	下扣前压板	Front buckle plate	1
8	14.01.010.00035	下扣后压板	Rear buckle plate	1
9		滚花高头螺钉M6×	Knurled high head screw M6×40	1
10	17.01.00246	M5X12杯头螺丝	M5X12 cup head screw	2
11	17.01.00397	M4X12蝶形螺丝	M4X12 butterfly screw	2
12	17.05.00092	M4垫片	M4 gasket	2
13	17.01.00288	M4X10杯头螺丝	M4X10 cup head screw	2
14	17.01.00262	M5X8圆头螺丝	M5X8 round head screw	2
15	17.01.00211	M4X20杯头螺丝	M4X20 cup head screw	2
16		0.6X6X30拉簧	0.6X6X30 tension spring	1
17	14.01.000.00024	吹气铜管	Blowing copper tube	1
18	17.01.00396	内六角沉头螺钉	M3X8 hexagon socket	4
19	17.01.00140	M3X6杯头螺丝	M3X6 cup head screw	2



序号	件号	名称	DESCRIPTION	数量
1	14.01.003.00116	9918上扣模具座-2	9918 buckle mold seat-2	1
2	14.01.003.00119	白钢棒8×35	White steel rod 8×35	1
3	14.01.010.00089	压簧1×15×20	Compression spring 1×15×20	1
4	14.01.010.00084	9918上扣定位模具支架	9918 buckle positioning mold bracket	1
5	14.01.010.00074	9918上扣支撑板	9918 buckle support plate	1
6	14.01.010.00022	挡料勾固定柱支架	Blocking hook fixing column bracket	1
7	14.01.010.00023	挡料勾固定柱	Blocking hook fixing column	1
8	14.01.001.00242	上扣挡料勾	Blocking hook	1
9	14.01.003.00011	侧压板	Side pressure plate	2
10	14.01.010.00001	9918上扣轨道前压板	9918 buckle track front pressure plate	1
11	14.01.010.00040	上扣固定轨道	Blocking fixed track	1
12		白钢棒5-40	White steel rod 5-40	2
13		流道调节块	Flow channel adjustment block	1
14		压纹把手螺栓	Embossed handle bolt	1
15		六角薄螺母M5	Hexagonal thin nut M5	1
16		下扣轨道定位销	Lower buckle track positioning pin	2
17	14.01.010.00027	上扣压板前后调节柱	Top buckle pressure plate front and rear adjustment column	1
18	14.01.1002.00070	50长MGN9C轨道及滑块	50 long MGN9C track and slider	1
19		滚花高头螺钉M6×40	Knurled high head screw M6×40	1

序号	件号	名称	DESCRIPTION	数量
20	14.01.010.00073	下扣连接板高低调节块	Lower buckle connecting plate height adjustment block	1
21	14.01.010.00029	上扣压板连接板	Top buckle pressure plate connecting plate	1
22	14.01.010.00031	上扣轨道压板	Top buckle track pressure plate	1
23	14.01.010.00032	限高压板	High pressure limit plate	1
24	17.01.00246	M5X12杯头螺丝	M5X12 cup head screw	5
25	17.01.00282	M5X16杯头螺丝	M5X16 cup head screw	2
26	17.05.00092	M4垫片	M4 gasket	5
27	17.01.00288	M4X10杯头螺丝	M4X10 cup head screw	1
28	17.01.00212	M4X8杯头螺丝	M4X8 cup head screw	3
29	17.01.00285	M4X12杯头螺丝	M4X12 cup head screw	2
30	17.01.00397	M4X12蝶形螺丝	M4X12 butterfly screw	2
31	17.01.00211	M4X20杯头螺丝	M4X20 cup head screw	2
32		0.6X6X30拉簧	0.6X6X30 tension spring	1
33	17.01.00396	内六角沉头螺钉M3X8	M3X8 hexagon socket countersunk screw	4
34	14.01.005.00053	扭簧	Torsion spring	1
35		塞打螺丝M4	M4 plug screw	1
36	17.05.00092	M5垫片	M5 gasket	1
37	17.01.00140	M3X6杯头螺丝	M3X6 cup head screw	2
38		3X25吹气铜管	3X25 blowing copper tube	2

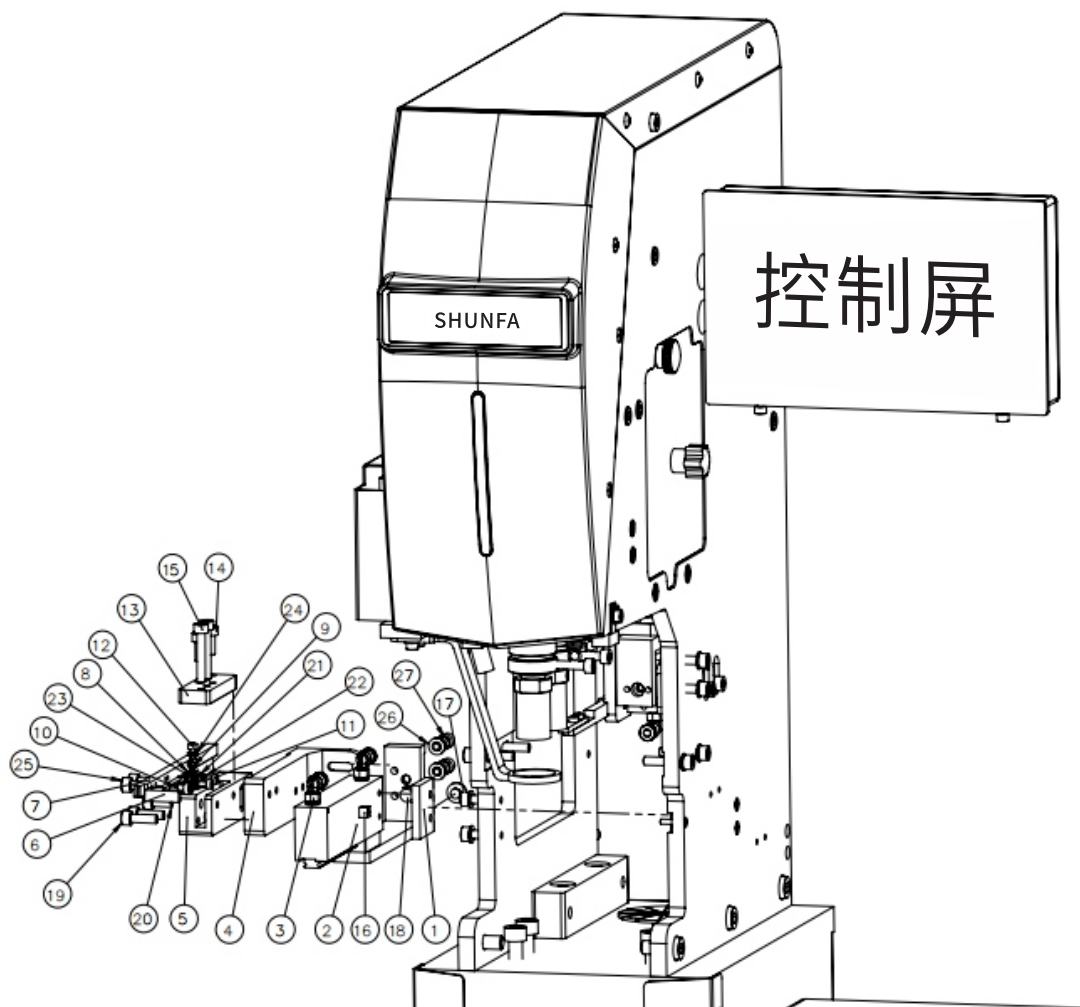


序号	件号	名称	DESCRIPTION	数量
1	14.01.010.00066	冲孔罩壳	Punching cover	1
2	14.01.003.00082	冲孔刀片	Punching blade	1
3	14.01.010.00038	冲孔模调节板	Punching die adjustment plate	1
4	14.01.010.00039	冲孔模支架	Punching die bracket	1
5	14.01.010.00043	送扣过渡板	Button feed transition plate	1
6	14.01.100.00017	4分接头	4-tap joint	1
7	14.01.100.00121	TN16-30	TN16-30	1
8	14.01.010.00042	冲孔模支架连接架	Punching die bracket connection frame	1
9	14.01.010.00044	挡料勾限位架	Blocking hook limit frame	1
10		Φ4硅胶堵头	Φ4 silicone plug	1
11	14.01.000.00102	下扣模具	Button die	1
12	14.01.010.00002	9918底板	9918 bottom plate	1
13	14.01.010.00008	冲孔轴套	Punching sleeve	1
14	14.01.010.00056	9918下轴	9918 lower shaft	1
15	14.01.010.00068	9918下轴压簧	9918 lower shaft compression spring	1
16	14.01.010.00055	顶模支撑轴	Top die support shaft	4
17	14.01.010.00057	模具支撑柱	Mold support column	1
18	14.01.010.00058	下模调节柱	Lower die adjustment column	1
19	17.04.00046	M12薄螺母	M12 thin nut	1
20	17.04.00002	M6螺母	M6 nut	1

序号	件号	名称	DESCRIPTION	数量
21	17.01.00359	内六角圆柱头螺钉M6×65	Hexagon socket head screw M6×65	1
22	14.01.010.00053	顶模滑块限位板	Top die slider limit plate	2
23	14.01.010.00003	9918顶模底板	9918 top die bottom plate	1
24	14.01.010.00052	顶模滑块	Top die slider	1
25		WHD31-M6	WHD31-M6	1
26	17.01.00359	M6螺母	M6 nut	1
27		CDU20-100	CDU20-100	1
28	17.01.00400	内六角圆柱头螺钉M3×40半牙	M3×40 half-thread hexagon socket head screw	1
29	17.04.00031	M3螺母	M3 nut	1
30	14.01.010.00054	顶模气缸支架	Top mold cylinder bracket	1
31	14.01.100.00167	XCSD12-5	XCSD12-5	1
32	14.01.010.00064	9918顶模罩壳	9918 top mold cover	1
33	17.01.00205	M4X25杯头螺丝	M4X25 cup head screw	2
34	17.01.00246	M5X12杯头螺丝	M5X12 cup head screw	2
35	17.05.00092	M4垫片	M4 gasket	6
36	17.01.00285	M4X12杯头螺丝	M4X12 cup head screw	3
37	14.01.001.00095	M5X10手拧螺丝	M5X10 thumb screw	4
38	17.01.00212	M4X8杯头螺丝	M4X8 cup head screw	8
39	17.01.00255	M4X4紧定螺丝	M4X4 set screw	2
40	14.01.100.00084	可调6分接头	Adjustable 6-tap joint	2

04

下推杆部件 Lower push rod parts



04

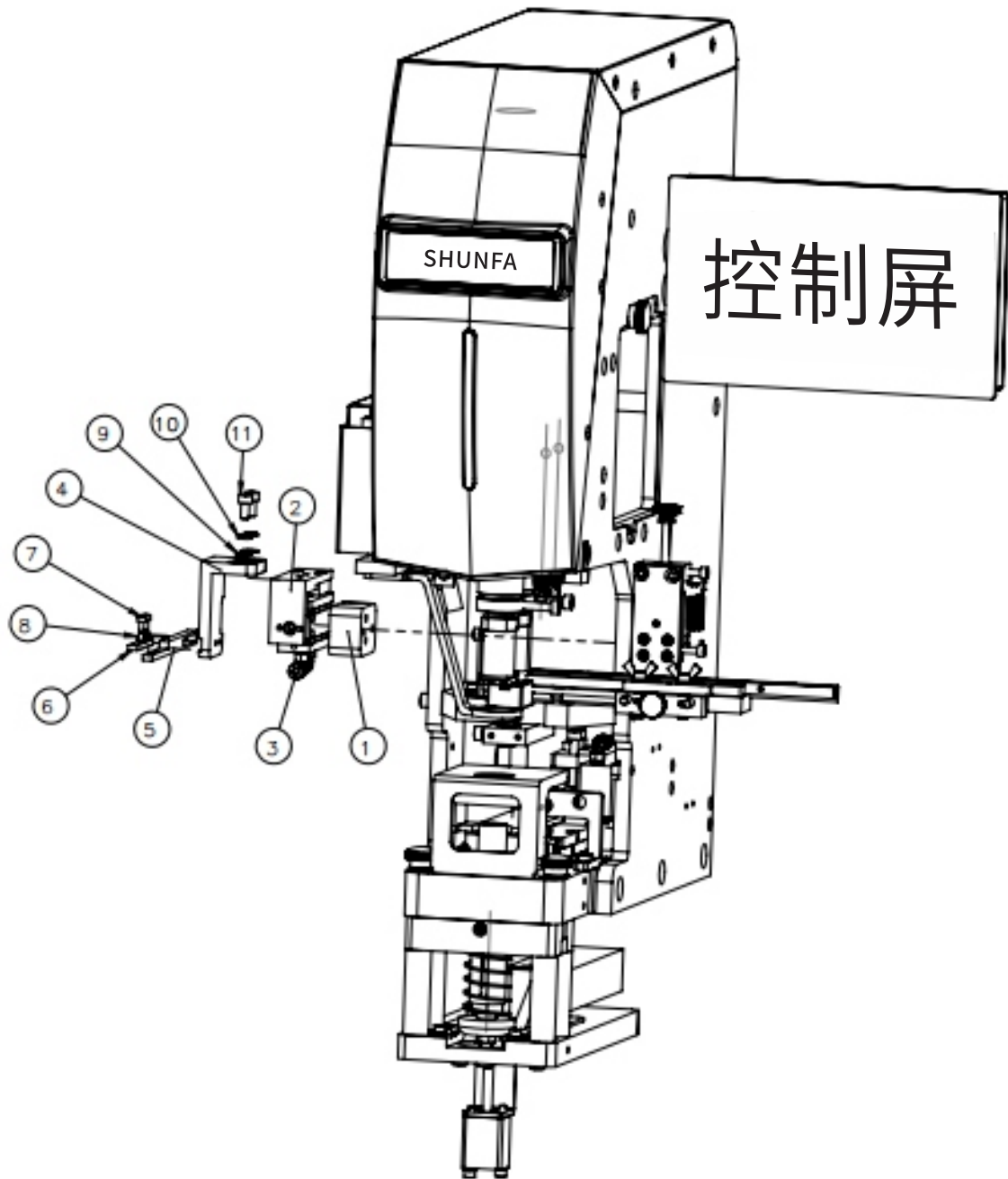
下推杆部件
Lower push rod parts

序号	件号	名称	DESCRIPTION	数量
1	14.01.001.00102	气缸垫块	Cylinder gasket	1
2	14.01.100.00165	下扣送料气缸(带导轨支架)	Down-button feeding cylinder (with guide rail bracket)	1
3	14.01.100.00085	调节4分接头	Adjustment 4-tap joint	2
4	14.01.010.00047	下扣推杆左右调节板	Down-button push rod left and right adjustment plate	1
5	14.01.010.00045	下扣推杆调节块	Down-button push rod adjustment block	1
6	14.01.010.00050	护扣(勾6.6mm厚)	Guard buckle (hook 6.6mm thick)	1
7	14.01.010.00048	9918下扣推杆	9918 down-button push rod	1
8	14.01.010.00049	护扣限位	Guard buckle limit	1
9	14.01.010.00068	0.6X6X20拉簧	0.6X6X20 tension spring	1
10	14.01.010.00069	塞打螺丝4X4XM3	Plug screw 4X4XM3	2
11	17.01.00213	内六角圆柱头螺钉M3×8	Hexagon socket head screw M3×8	1
12	17.01.00140	内六角圆柱头螺钉M3×6	Hexagon socket head screw M3×6	1
13	14.01.010.00046	下推杆限高压板	Down-button push rod high pressure limit plate	1
14	17.01.00282	内六角圆柱头螺钉M5×16	Hexagon socket head screw M5×16	2
15	17.01.00280	内六角圆柱头螺钉M5×30	Hexagon socket head screw M5×30	2
16		下扣气缸小垫块	Down-button cylinder small gasket	1

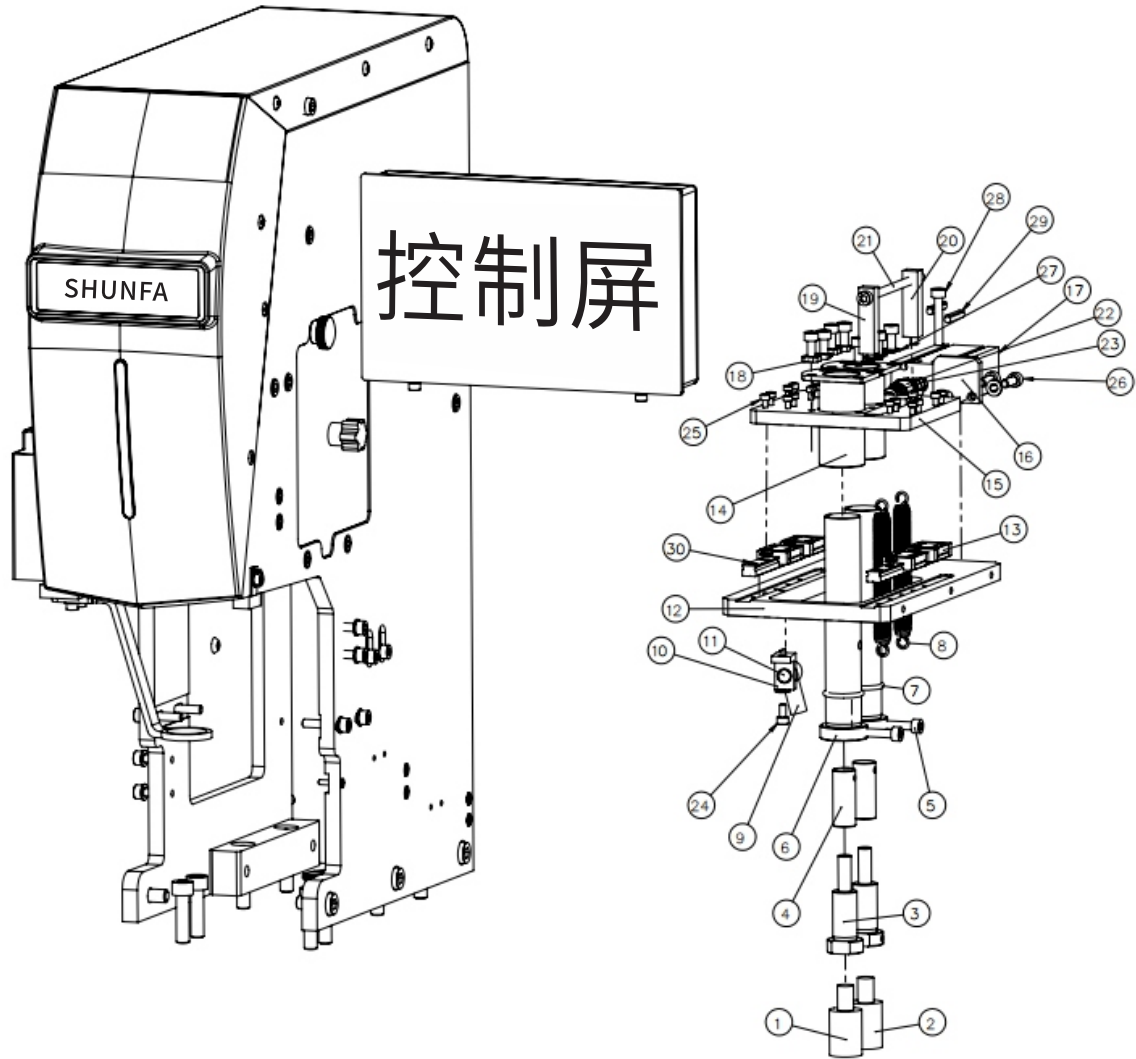
04

下推杆部件
Lower push rod parts

序号	件号	名称	DESCRIPTION	数量
17		硅胶塞2	Silicone plug 2	1
18		硅胶塞1	Silicone plug 1	1
19	17.01.00246	M5X12杯头螺丝	M5X12 cup head screw	2
20	17.01.00282	M5X16杯头螺丝	M5X16 cup head screw	2
21		下护勾拉簧架	Down-button hook tension spring frame	1
22		M4弹垫	M4 spring washer	1
23	17.05.00092	M4垫片	M4 gasket	1
24	17.04.00031	M3螺母	M3 nut	1
25		M5X20杯头螺丝	M5X20 cup head screw	4
26	17.05.00092	M5垫片	M5 gasket	6
27		M5弹垫	M5 spring gasket	6

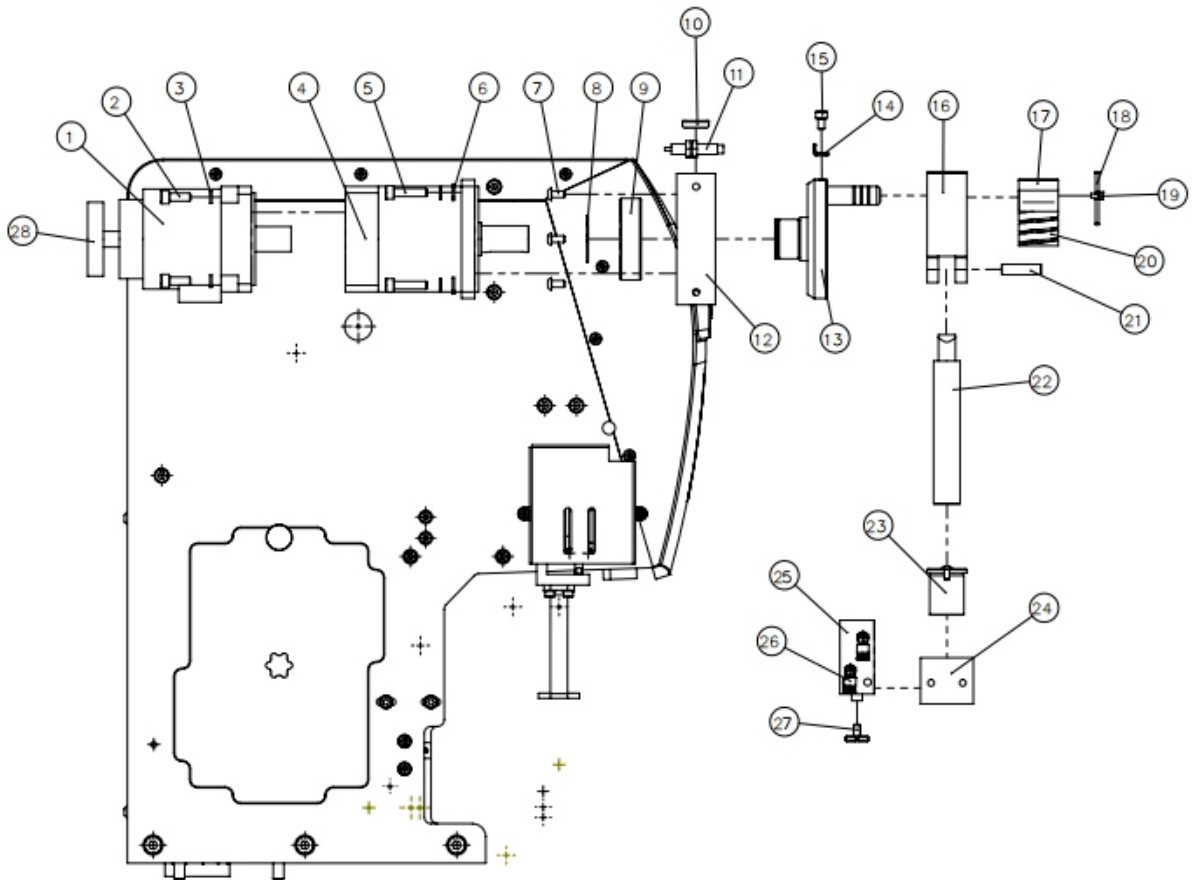


序号	件号	名称	DESCRIPTION	数量
1	14.01.010.00026	上扣推杆气缸垫块	Cylinder gasket for push rod	1
2	14.01.100.00164	右送料气缸	Right feed cylinder	1
3	14.01.100.00085	调节4分接头	Adjustment 4-tap joint	2
4	14.01.010.00025	上扣推杆调节板	Adjustment plate for push rod	1
5	14.01.010.00024	9918上扣推杆	9918 push rod	1
6	14.01.001.00027	上扣挡料支架	Block bracket for material	1
7	17.01.00287	M3X6杯头螺丝	M3X6 cup head screw	2
8	17.01.00285	M4X12杯头螺丝	M4X12 cup head screw	2
9	17.05.00092	M5垫片	M5 gasket	2
10		M5弹垫	M5 spring washer	2
11	17.01.00246	M5X12杯头螺丝	M5X12 cup head screw	2



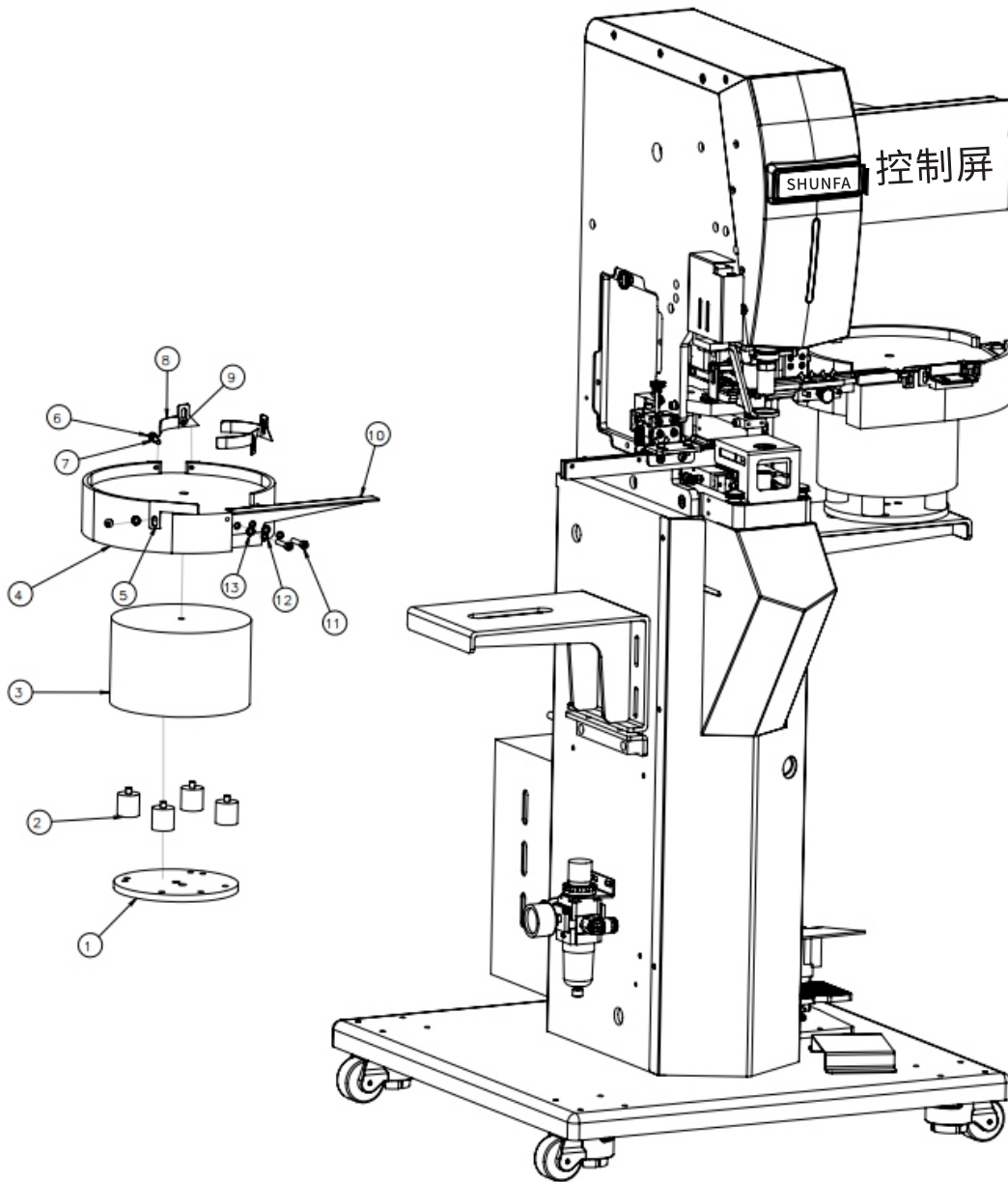
序号	件号	名称	DESCRIPTION	数量
1	14.01.000.00026	上冲孔模具	Upper punching die	1
2	14.01.000.00102	上扣模具	Upper buckle die	1
3	14.01.001.00083	上模套	Upper die sleeve	2
4	14.01.001.00108	上模调节螺母	Upper die adjustment nut	2
5	17.01.00286	内六角圆柱头螺钉 M5×25	Hexagon socket head screw M5×25	2
6	14.01.010.00011	9918上轴	9918 upper shaft	2
7	14.01.002.00077	O型圈	O-ring	2
8	14.01.001.00118	9918上轴复位簧	9918 upper shaft reset spring	2
9	14.01.001.00009	红外线定位器	Infrared positioner	1
10	14.01.001.00002	红外线支架B	Infrared bracket B	1
11	14.01.001.00001	红外线支架A	Infrared bracket A	1
12	14.01.010.00004	推模底板	Push die base plate	1
13	14.01.010.00067	115长MGN9C轨道	115 long MGN9C track	2
	14.01.003.00100	MHS9U滑块	MHS9U slider	4
14	14.01.010.00012	冲压轴铜套	Stamping shaft copper sleeve	2
15	14.01.010.00005	冲压轴板	Stamping shaft plate	1
16	14.01.010.00014	推模缓冲挡板	Push die buffer baffle	1
17	14.01.100.00054	CDU20-35	CDU20-35	1
18	14.01.010.00013	上轴自转限位片	Upper shaft rotation limiter	2

序号	件号	名称	DESCRIPTION	数量
19	14.01.010.00015	上轴拉簧支柱1	Upper shaft tension spring support 1	1
20	14.01.010.00016	上轴拉簧支柱2	Upper shaft tension spring support 2	1
21	17.01.00360	内六角圆柱头螺钉 M5×90半牙	Hexagon socket head screw M5×90 half thread	1
22	14.01.100.00049	F-M6X100F	F-M6X100F	1
23	17.04.00002	M6螺母	M6 nut	1
24	17.01.00212	M4X8杯头螺丝	M4X8 cup head screw	1
25	17.01.00200	M3X10杯头螺丝	M3X10 cup head screw	16
26	17.01.00246	M5X12杯头螺丝	M5X12 cup head screw	10
27	17.05.00092	M5垫片	M5 washer	8
28	17.01.00286	M5X25杯头螺丝	M5X25 cup head screw	2
29	14.01.100.00046	磁性开关	Magnetic switch	2
30	17.01.00213	M3X8杯头螺丝	M3X8 cup head screw	10

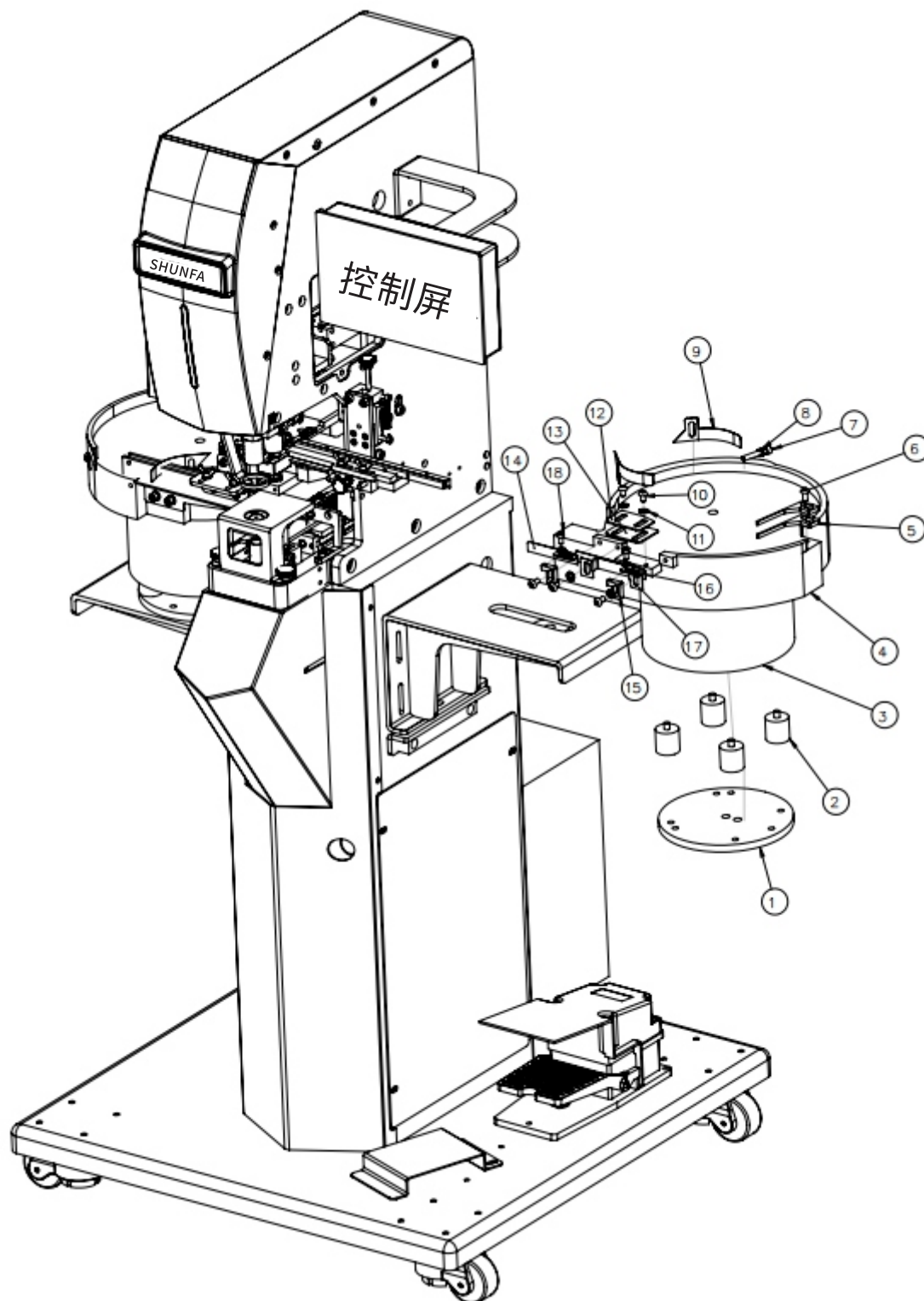


序号	件号	名称	DESCRIPTION	数量
1	18.10.00011	伺服电机	Servo motor	1
2	17.01.00219	内六角圆柱头螺钉M6×16	Hexagon socket head screw M6×16	4
3		M6弹垫	M6 spring washer	8
4	14.01.003.00037	减速机	Reducer	1
5	17.01.00199	内六角圆柱头螺钉M6×25	Hexagon socket head screw M6×25	4
6	17.05.00099	M6厚垫片	M6 thick washer	4
7		内六角平圆头螺钉M5×10	Hexagon socket flat head screw M5×10	4
8	14.01.001.00103	轴用弹性挡圈B型30	Shaft elastic retaining ring B type 30	1
9	17.06.00023	深沟球轴承6206-2RZ	Deep groove ball bearing 6206-2RZ	1
10	14.01.001.00109	传感器压板	Sensor pressure plate	1
11	14.01.200.00007	接近开关	Proximity switch	1
12	14.01.001.00014	减速机座	Reducer seat	1
13	14.01.002.00045	偏心轮	Eccentric wheel	1
14	14.01.003.00012	感应角件	Induction angle piece	1
15	17.01.00262	M5×8圆头螺丝	M5×8 round head screw	1
16	14.01.001.00106	连杆座	Connecting rod seat	1
17	14.01.001.00106	连杆滑块	Connecting rod slider	1
18	14.01.001.00234	滑块挡板	Slider baffle	1
19	17.01.00287	内六角圆柱头螺钉M3×6	Hexagon socket head screw M3×6	2

序号	件号	名称	DESCRIPTION	数量
20	14.01.001.00249	矩形弹簧	Rectangular spring	1
21	14.01.001.00096	冲压轴连杆销	Stamping shaft connecting rod pin	1
22	14.01.010.00010	冲压轴	Stamping shaft	1
23	14.01.010.00006	冲压轴座石墨烯铜套	Stamping shaft seat graphene copper sleeve	1
24		冲压轴座	Stamping shaft seat	1
25	14.01.100.00048	CU20-20	CU20-20	1
26	14.01.100.00016	6分接头	6 tap connector	2
27	14.01.001.00085	一字槽大圆头螺丝M5*8	Slotted round head screw M5*8	1
28	18.10.00011	电机风叶	Motor fan blade	1



序号	件号	名称	DESCRIPTION	数量
1	20.02.04.00003	振动盘底板	Vibration plate bottom plate	1
2	12.000.00021	减震垫	Shock-absorbing pad	4
3	14.01.000.00005	150精密底座(左)	150 precision base (left)	1
4	20.02.04.00047	新振动盘(左)	New vibration plate (left)	1
5	14.01.010.00078	新左盘入扣限位片	New left plate buckle limiter	1
6	17.01.00280	M5X30杯头螺丝	M5X30 cup head screw	1
7	17.04.00005	M5螺母	M5 nut	1
8	14.01.000.00002	小拨料片	Small pick	3
9	17.01.00262	M5X8圆头螺丝	M5X8 round head screw	4
10	14.01.010.00079	左新盘轨道	Left new plate track	1
11	17.01.00282	M5X16杯头螺丝	M5X16 cup head screw	2
12		M5弹垫	M5 spring washer	2
13		M5垫片	M5 gasket	3





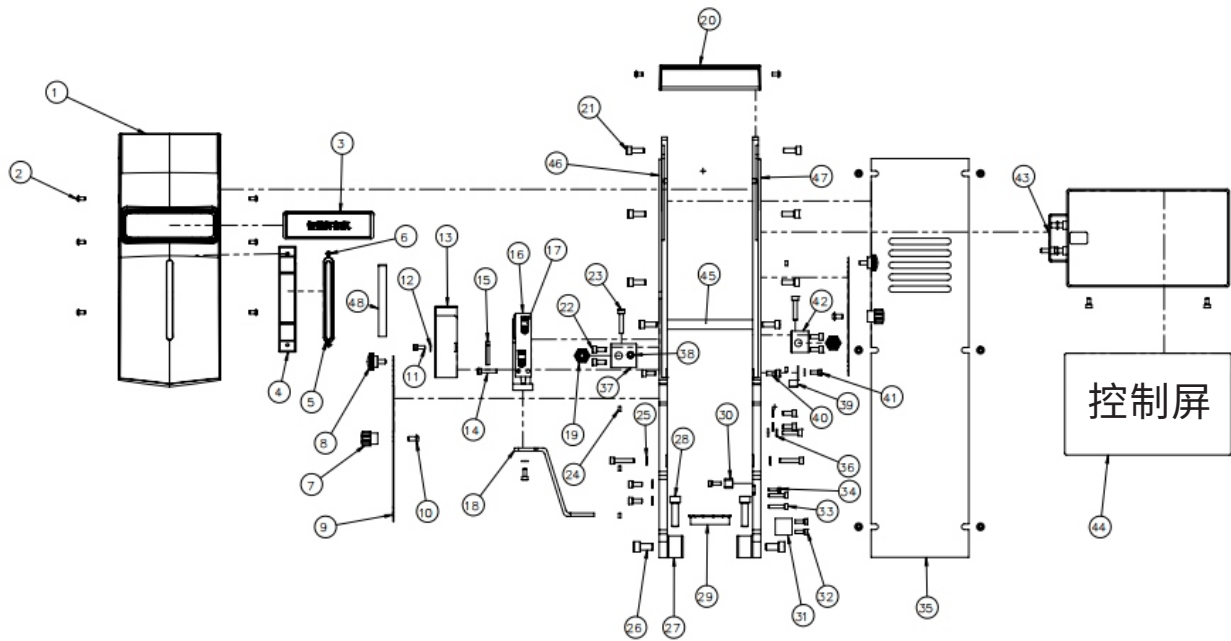
右振动盘部件

Right vibrating plate part

序号	件号	名称	DESCRIPTION	数量
1	20.02.04.00003	振动盘底板	Vibration plate bottom plate	1
2	12.000.00021	减震垫	Shock-absorbing pad	4
3	14.01.000.00005	150精密底座(左)	150 precision base (left)	1
4	20.02.04.00046	新振动盘(右)	New vibration plate (right)	1
5	14.01.010.00082	上扣正反选料板厚	Top buckle positive and negative material selection plate thickness	2
6	17.01.00241	M5X12圆头螺丝	M5X12 round head screw	3
7	17.01.00280	M5X30杯头螺丝	M5X30 cup head screw	1
8	17.04.00005	M5螺母	M5 nut	1
9	14.01.000.00002	小拨料片	Small material selection piece	2
10	17.01.00262	M5X8圆头螺丝	M5X8 round head screw	5
11		M5垫片	M5 gasket	3
12	14.01.010.00081	新右振动盘斜口选料板	New right vibration plate bevel material selection plate	1
13	14.01.010.00083	新右振动盘锯齿选料板	New right vibration plate serrated material selection plate	1
14	14.01.003.00121	上扣轨道连接片	Top buckle track connection piece	1
15	14.01.003.00120	上扣轨道连接片支架	Top buckle track connection piece bracket	2
16	50.01.02.00001	上扣轨道压料片	Top buckle track pressure piece	1
17	14.01.010.00080	新右振动盘挡料板	New right vibration plate baffle plate	1
18	17.01.00212	M4X8杯头螺丝	M4X8 cup head screw	2
19	14.01.010.00077	正反拨料片	Positive and negative material selection piece	1

10

右振动盘部件 Right vibrating plate part



10

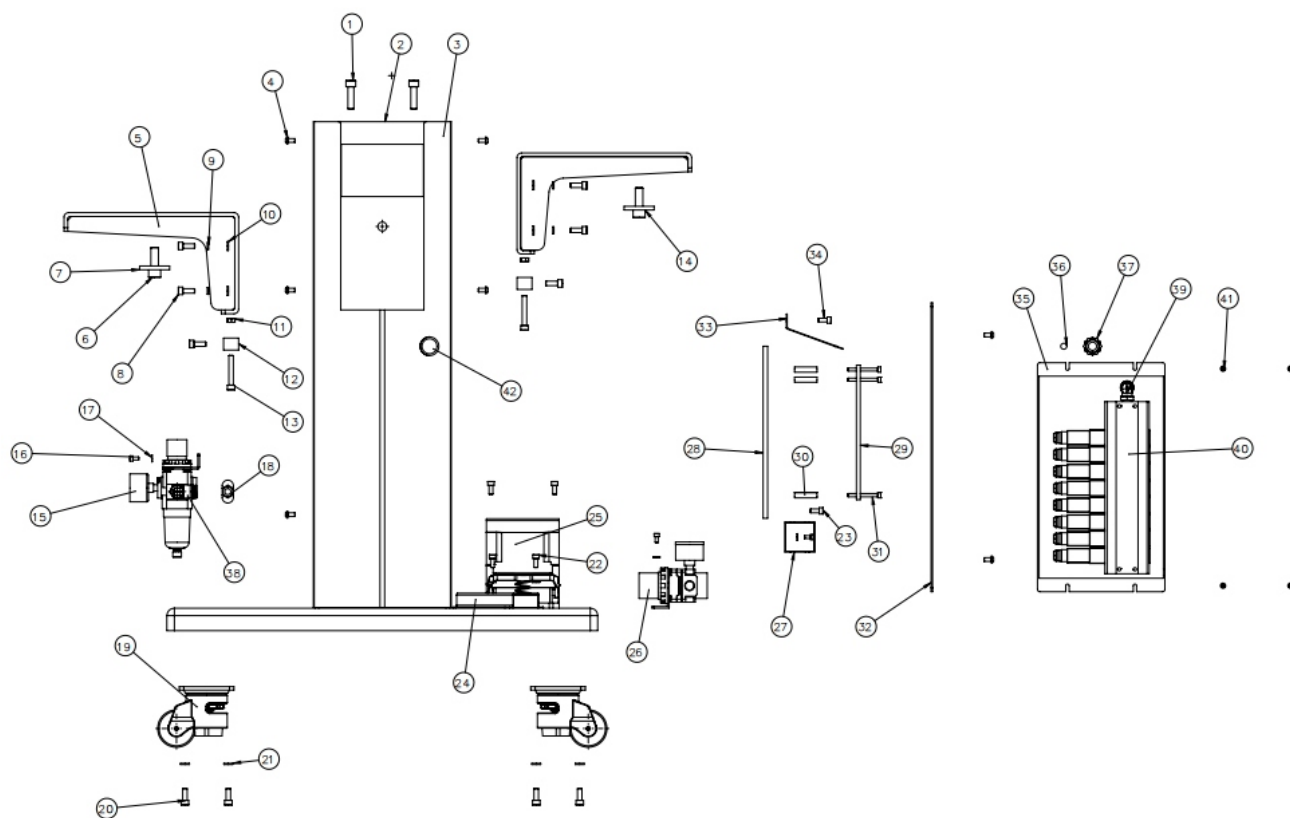
右振动盘部件 Right vibrating plate part

序号	件号	名称	DESCRIPTION	数量
1	14.01.010.00063	9918前盖	9918 front cover	1
2		M4X6圆头螺丝	M4X6 round head screw	12
3	18.10.00043	铭牌	Nameplate	1
4	14.01.010.00020	灯带罩壳	Light belt cover	1
5	14.01.010.00021	灯带座	Light belt seat	1
6	17.01.00287	M3X6杯头螺丝	M3X6 cup head screw	2
7	14.01.003.00090	梅花手柄螺母M5	Plum handle nut M5	2
8	14.01.001.00095	M5X10手拧螺丝	M5X10 thumb screw	2
9	20.02.04.00041	左窗封板	Left window cover	1
10	17.01.00262	M5X8圆头螺丝	M5X8 round head screw	8
11	17.01.00288	M4X10杯头螺丝	M4X10 cup head screw	6
12	17.05.00092	M4垫片	M4 gasket	5
13	14.01.010.00076	保护气缸罩壳	Protective cylinder cover	1
14	17.01.00211	M4X20杯头螺丝	M4X20 cup head screw	2
15	14.01.100.00012	磁性开关	Magnetic switch	1
16	14.01.100.00163	保护气缸(带导轨)	Protective cylinder (with guide rail)	1
17	14.01.100.00017	4分接头	4-tap connector	2
18	14.01.010.00019	9918保护支架	9918 protection bracket	1
19	14.01.100.00057	缓冲器	Buffer	2
20	14.01.010.00062	9918上盖	9918 top cover	1
21	17.01.00218	M6X12杯头螺丝	M6X12 cup head screw	10
22		M5X10杯头螺丝	M5X10 cup head screw	4
23	17.01.00282	M5X16杯头螺丝	M5X16 cup head screw	12
24	14.01.003.00079	6X3磁铁	6X3 magnet	5

序号	件号	名称	DESCRIPTION	数量
25	17.05.00092	M5垫片	M5 gasket	12
26	17.01.00227	M8X16杯头螺丝	M8X16 cup head screw	6
27	14.01.010.00007	铁板固定条	Iron plate fixing strip	2
28	17.01.00223	M8X30杯头螺丝	M8X30 cup head screw	4
29		防尘盖	Dust cover	1
30	14.01.010.00051	下扣推杆气缸限位	Down push rod cylinder limiter	1
31		下扣气缸缓冲挡块	Down push cylinder buffer block	1
32	17.01.00285	M4X12杯头螺丝	M4X12 cup head screw	2
33	17.01.00205	M4X25杯头螺丝	M4X25 cup head screw	2
34	17.01.00206	M3X12杯头螺丝	M3X12 cup head screw	1
35	20.02.04.00043	9918后盖	9918 rear cover	1
36		M5弹垫	M5 spring washer	2
37	14.01.010.00017	缓冲器支架	Buffer bracket	1
38		M5X60杯头螺丝	M5X60 cup head screw	1
39	12.000.00239	LED灯	LED light	1
40	17.01.00246	M5X12杯头螺丝	M5X12 cup head screw	8
41	17.01.00288	M4X8杯头螺丝	M4X8 cup head screw	3
42	14.01.010.00017	缓冲器支架2	Buffer bracket 2	1
43	20.02.04.00049	显示屏框架	Display frame	1
44	18.10.00038	触摸屏	Touch screen	1
45	14.01.001.00087	支撑棒	Support rod	1
46	20.02.04.00038	9918左侧板	9918 left side panel	1
47	20.02.04.00037	9918右侧板	9918 right side panel	1
48	18.10.00045	呼吸灯	Breathing light	1
49	20.02.04.00042	右窗封板	Right window sealing plate	1

立柱部件

Column parts



立柱部件

Column parts

序号	件号	名称	DESCRIPTION	数量
1	17.01.00198	M8X25杯头螺丝	M8X25 cup head screw	4
2	20.02.04.00035	9918立柱	9918 column	1
3	20.02.04.00044	9918立柱前罩	9918 column front cover	1
4	17.01.00262	M5X8圆头螺丝	M5X8 round head screw	9
5	20.02.04.00036	振动盘支撑座	Vibration plate support seat	2
6	17.01.00226	M10X25杯头螺丝	M10X25 cup head screw	2
7	14.01.001.00230	振动盘安装螺钉垫圈	Vibration plate mounting screw washer	2
8	17.01.00219	M6X16杯头螺丝	M6X16 cup head screw	12
9		M6弹垫	M6 spring washer	8
10	17.05.00099	M6垫片	M6 gasket	8
11	17.04.00002	M6螺母	M6 nut	4
12	20.02.04.00032	底座高低调节板	Base height adjustment plate	2
13		M6X40杯头螺丝	M6X40 cup head screw	4
14	17.05.00098	M10垫片	M10 gasket	2
15	14.01.100.00033	过滤调压阀	Filter pressure regulating valve	1
16	17.01.00212	M4X8杯头螺丝	M4X8 cup head screw	6
17	17.05.00092	M4垫片	M4 gasket	6
18	14.01.100.00041	气管接头PX8-02	Trachea connector PX8-02	1
19	14.01.000.00001	脚轮	Castor	4
20	17.01.00398	M6X10杯头螺丝	M6X10 cup head screw	16
21	17.05.00097	M8垫片	M8 gasket	16
22	17.01.00246	M5X12杯头螺丝	M5X12 cup head screw	4
23		M5X10杯头螺丝(黑)	M5X10 cup head screw (black)	2

立柱部件

Column parts

序号	件号	名称	DESCRIPTION	数量
24	14.01.001.00233	脚踏支撑	Foot support	1
25	14.01.000.00014	脚踏板开关	Foot pedal switch	1
26	14.01.100.00004	调压阀	Pressure regulating valve	2
27	14.01.000.00034	线槽	Wire duct	1
28	14.01.001.00105	绝缘板	Insulation board	1
29	18.10.00037	电控板	Electric control board	1
30		塑料垫柱	Plastic pad column	4
31		M4X35杯头螺丝(半牙)	M4X35 cup head screw (half thread)	4
32	20.02.04.00039	电控门	Electric control door	1
33	14.01.010.00065	电控护板	Electric control guard plate	1
34	17.01.00262	M5X8圆头螺丝(黑)	M5X8 round head screw (black)	2
35	20.02.04.00040	电磁阀罩壳	Solenoid valve cover	1
36	14.01.200.00009	电源线	Power cord	1
37	14.01.000.00013	防水接头	Waterproof connector	1
38	14.01.100.00014	L型接头	L-type connector	1
39	14.01.100.00168	L型接头	L-type connector	1
40		9位阀组	9-position valve group	1
41	17.01.00288	M4X10杯头螺丝	M4X10 cup head screw	4
42	18.10.00021	开关按钮	Switch button	1
43	14.01.100.00042	手滑阀	Hand valve	1